

User Manual V1.0

SpeedyBee F7 V3 BL32 50A 30x30 Stack

contents

Part 1 - OverView

- Specs Overview 1
- Dimensions 2
- Package 3
- FC & ESC Connection 4

Part 2 - SpeedyBee F7 V3 Flight Controller

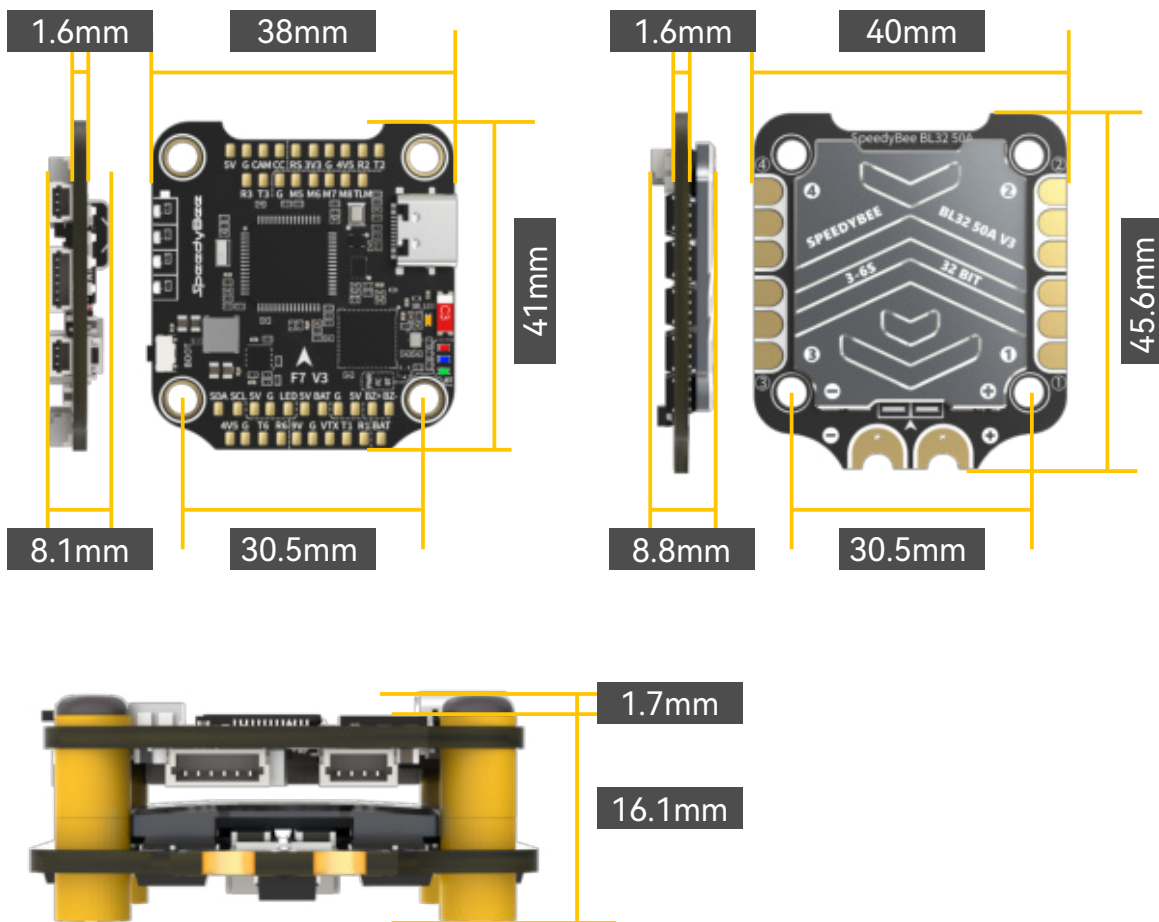
- Layout 5
- FC's Peripheral Connection 6
- App 7
- FC Firmware Update 8
- Specifications 9

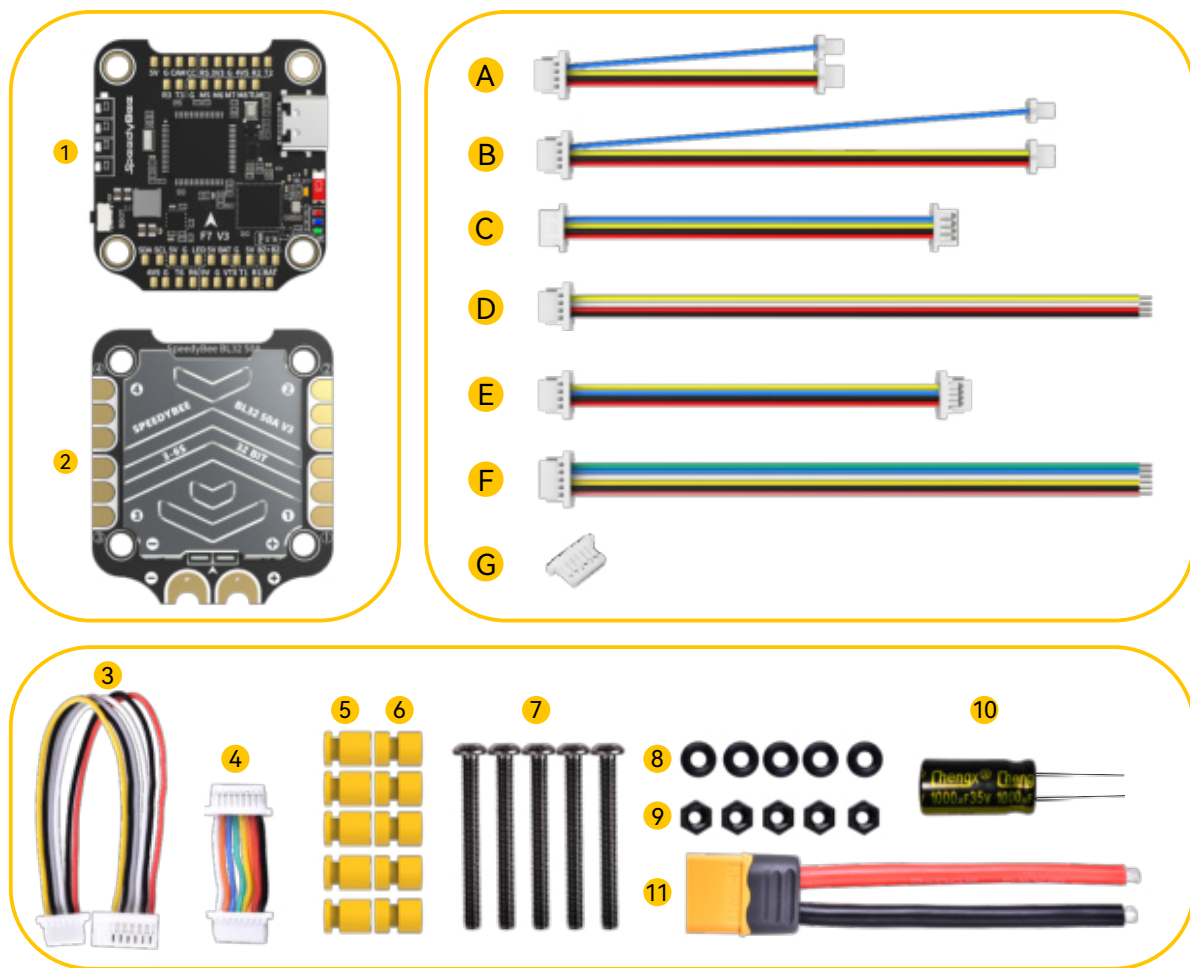
Part 3 - SpeedyBee BL32 50A 4-in-1 ESC

- Layout 10
- Connection with Motors & Power Cable 11
- ESC Conifguration & Firmware Update 12
- Specifications 13

| | |
|--------------------------------------|---|
| Product Name | SpeedyBee F7 V3 BL32 50A 30x30 Stack |
| Flight Controller | SpeedyBee F7 V3 |
| ESC | SpeedyBee BL32 50A 4-in-1 ESC |
| Bluetooth | Supported. For FC & ESC parameter setting |
| Wireless FC Firmware Flashing | Supported |
| Wireless Blackbox Download | Supported |
| Power Input | 3-6S LiPo |
| Mounting | 30.5 x 30.5mm (4mm hole size) |
| Dimension | 45.6mm(L) x 40mm(W) x 16.1mm(H) |
| Weight | 29.9g |

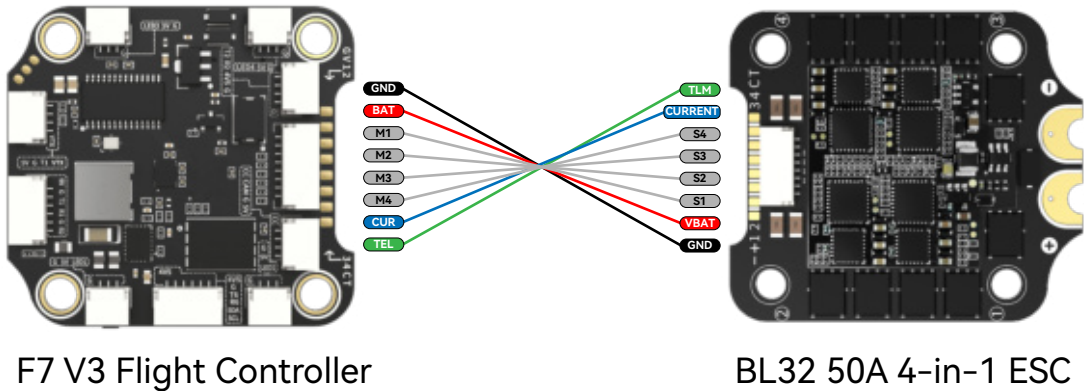
Dimensions



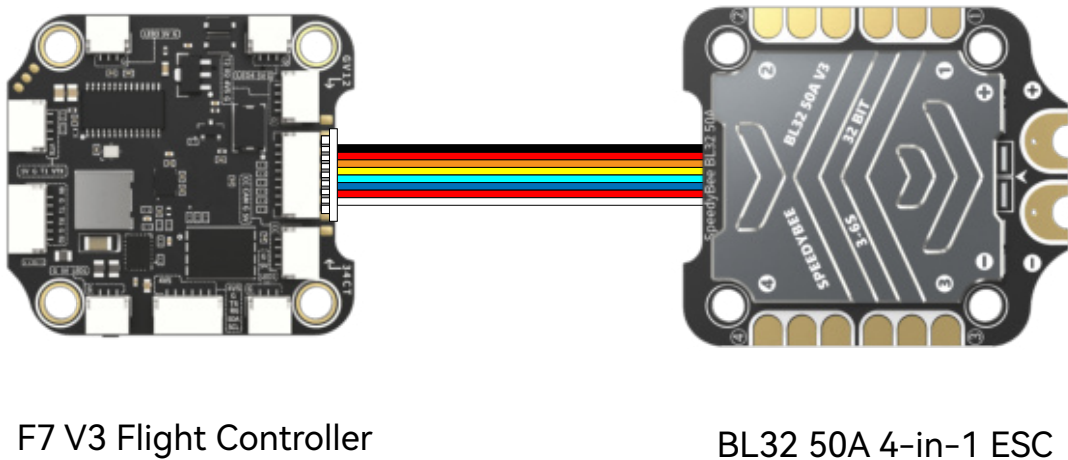


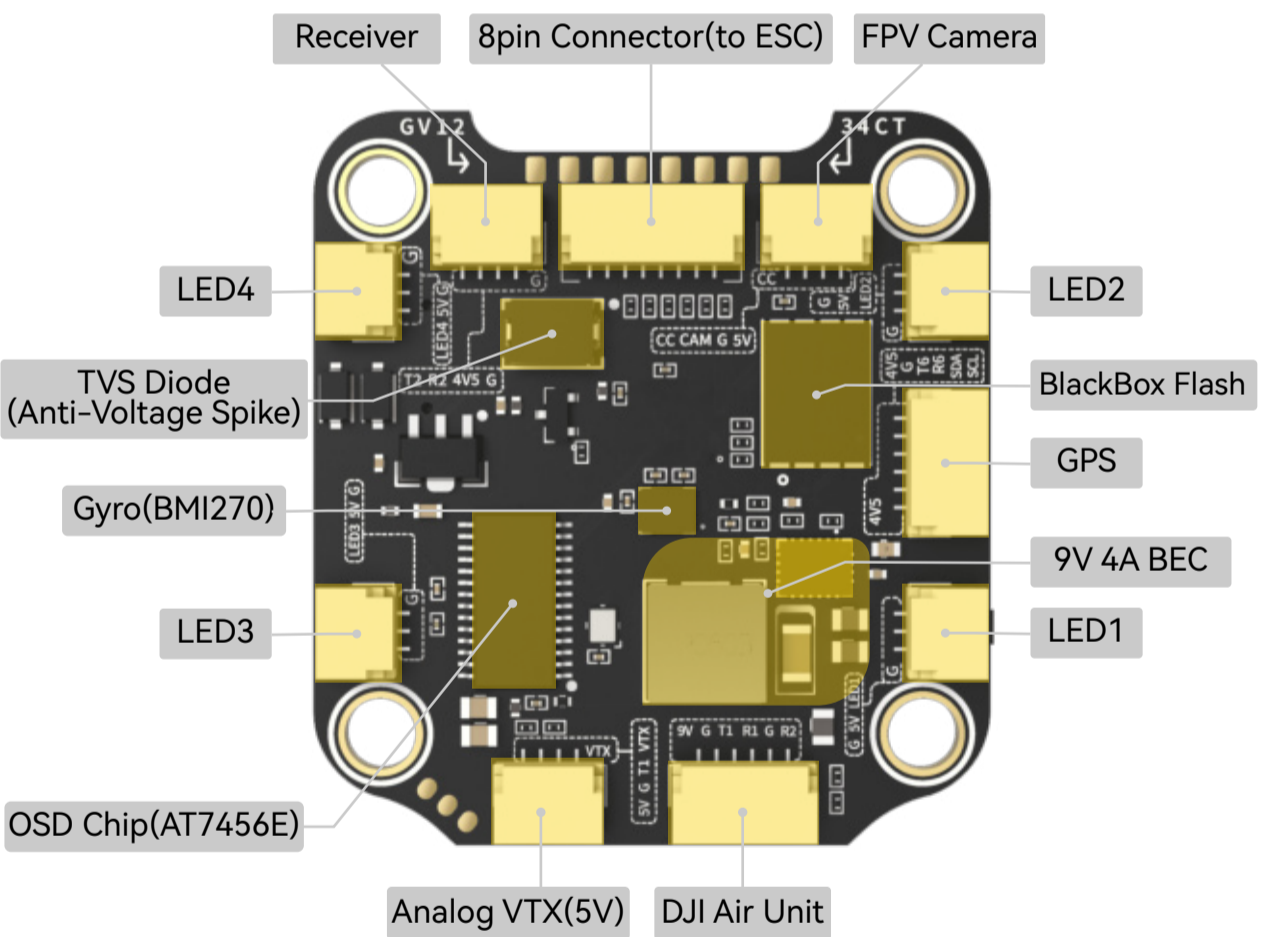
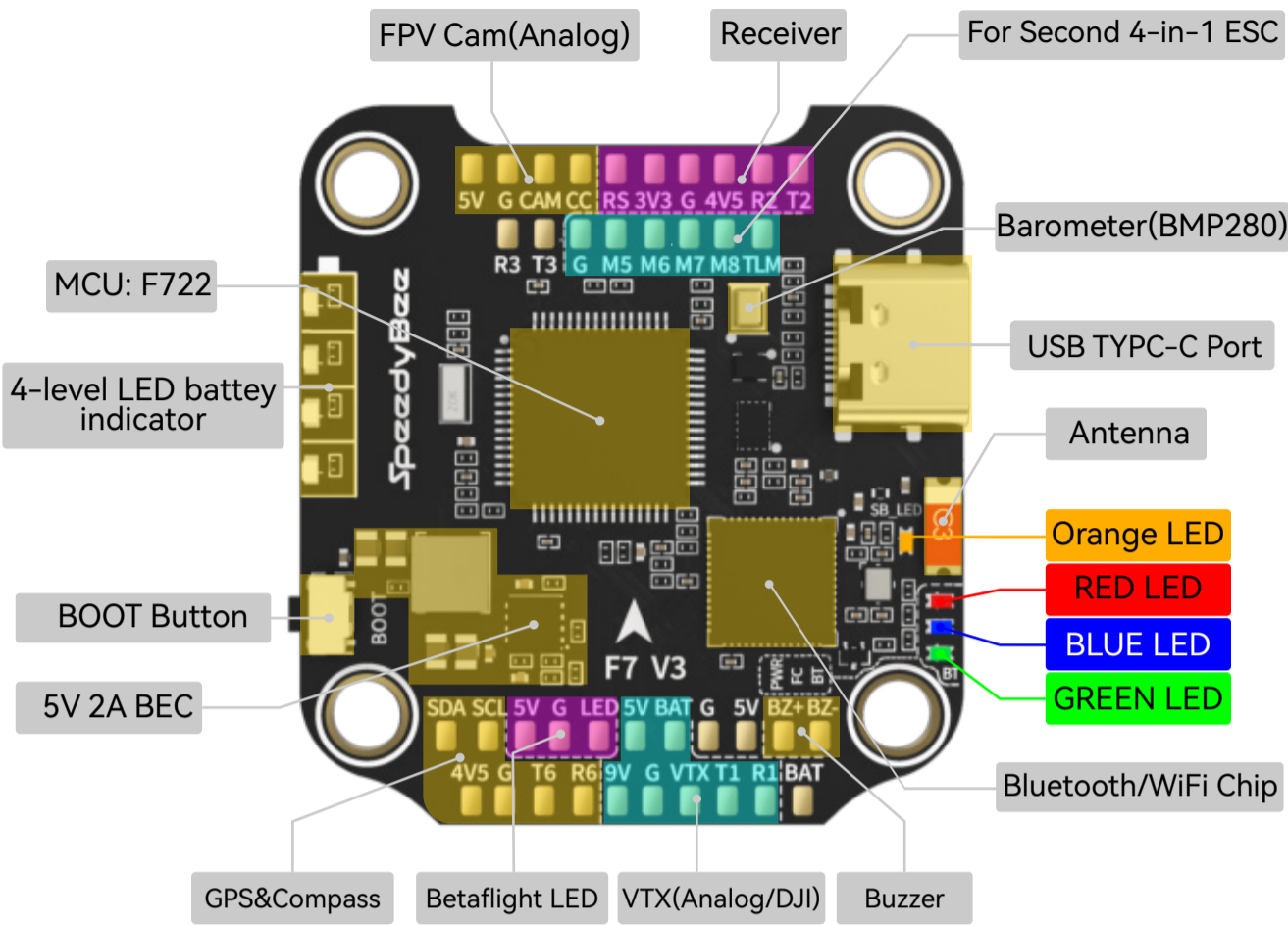
- 1 SpeedyBee F7 V3 Flight Controller x 1
- 2 SpeedyBee BL32 50A 4-in-1 ESC x 1
- 3 DJI 6pin Cable(80mm) x 1
- 4 SH 1.0mm 15mm-length 8pin Cable(for FC-ESC connection) x 1
- 5 M3*8mm Silicone Grommets(for FC) x 5
- 6 M3*8.1mm Silicone Grommets(for ESC) x 5
- 7 M3*30mm Iner-hexagon Screws x 5
- 8 M3 silicone O Ring x 5
- 9 M3 Nylon Nut x 5
- 10 35V 1000uF Low ESR Capacitor x 1
- 11 XT60 Power Cable(70mm) x 1
- A 4pin SH1.0 to 3+2pin JST1.25 FPV Cam Cable(30mm) x 1
- B 4pin SH1.0 to 3+2pin JST1.25 FPV Cam Cable(60mm) x 1
- C 4pin SH1.0 to 4pin JST1.25 FPV Cam Cable(60mm) x 1
- D 4pin SH1.0 Radio Receiver Cable(100mm) x 1
- E 4pin SH1.0 to 4pin SH1.0 Analog VTX Cable x 1
- F 6pin SH1.0 GPS Module Cable without Connector on another end(100mm) x 1
- G 6pin SH1.0 GPS Module Cable Connector of another end x 1

Method 1 - Direct Soldering



Method 2 - All connectors





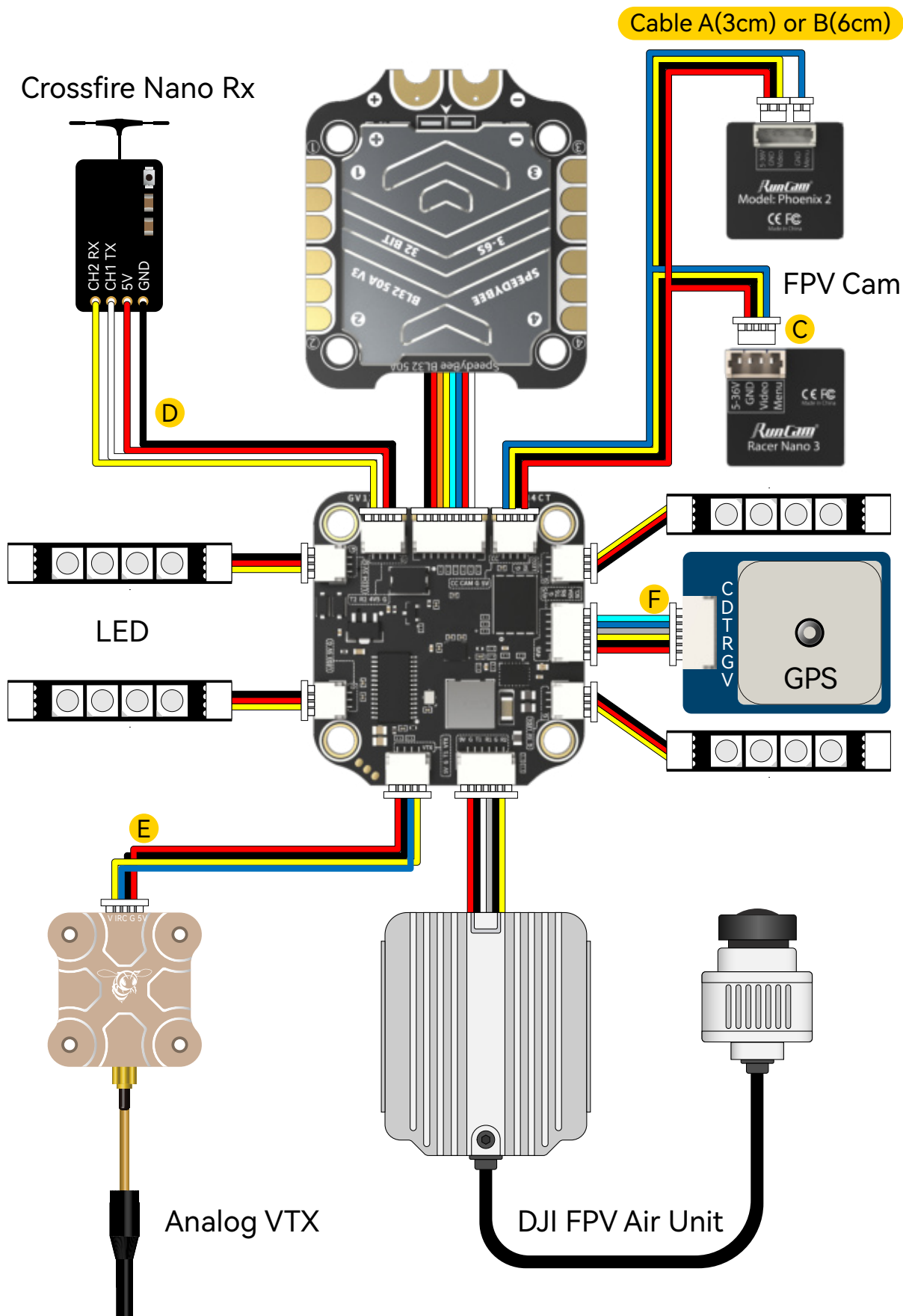
■ LED Indicator Definition

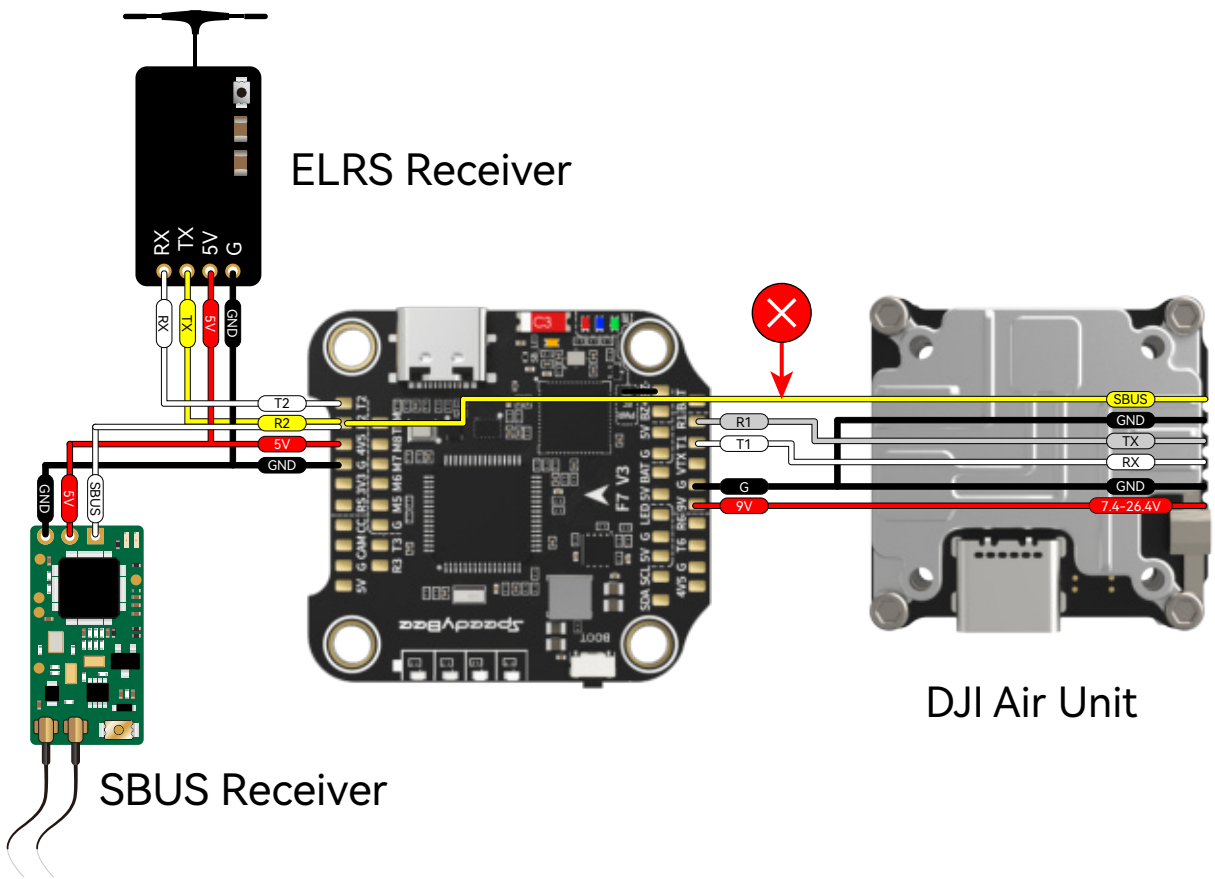
- RED LED** - Power Indicator. **Solid Red** after powering up.
- GREEN LED** - Bluetooth status light. **Solid Green** indicates Bluetooth is connected.
- BLUE LED** - Flight controller status light which is controlled by the flight controller firmware.
- Orange LED** - LED Control Mode Indicator. It indicates the 4 sets of LEDs connected to LED1-LED4 connectors on the bottom side are controlled by Betaflight firmware(BF_LED mode) or the Bluetooth Chip(SB_LED mode).
 - Solid Orange** : indicates the 4 x LEDs are in SB_LED mode. In this mode, when the FC is powered on and in standby mode, press the BOOT button to cycle the display modes of the LEDs. You could also change modes in the app wirelessly.
 - OFF** : indicates the 4 x LEDs are controlled by Betaflight firmware.

Long press the button for 3 seconds to switch the control modes between BF_LED mode and SB_LED mode.

Method 2 - All connectors

To recognize the wires in the package better, we marked some of these wires with letters (from A to F). Please find the right wires according to their letters.



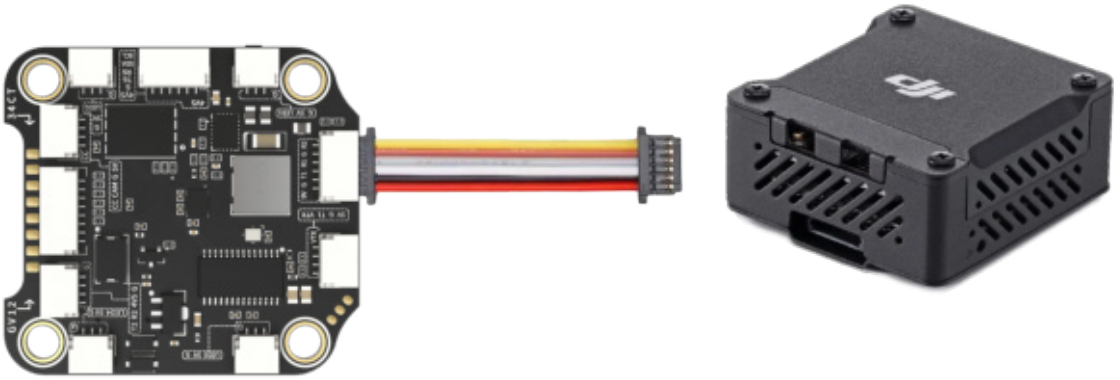


Note: When using both a receiver and an Air Unit (including a direct connection using a ribbon cable) on the F7 V3 flight controller, there is an issue. This arises because the built-in SBUS receiver on the Air Unit and the external receiver are both connected to the Rx2 pad on the flight controller. As a result, the external receiver cannot be recognized properly by the flight controller. To resolve this, it is necessary to disconnect the SBUS wire from the Air Unit or connect the external receiver to the Rx3 pad on the UART3 port. Currently.

It is known that SBUS receivers and part of the ELRS receivers conflict with the built-in receiver on the Air Unit in the F7 V3 flight controller. Even ELRS receiver has this issue, but TBS receiver will not be affected by this issue.

Cable Connection vs DJI O3 Air Unit

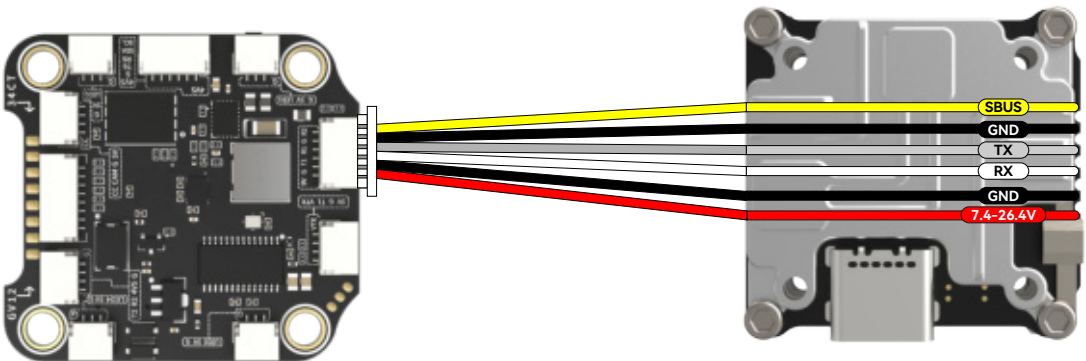
Use 6-pin cable comes with the O3 Air Unit



Cable Connection vs RunCam Link/ Caddx Vista Air Unit

Use 6-pin cable comes with the F7 V3 stack

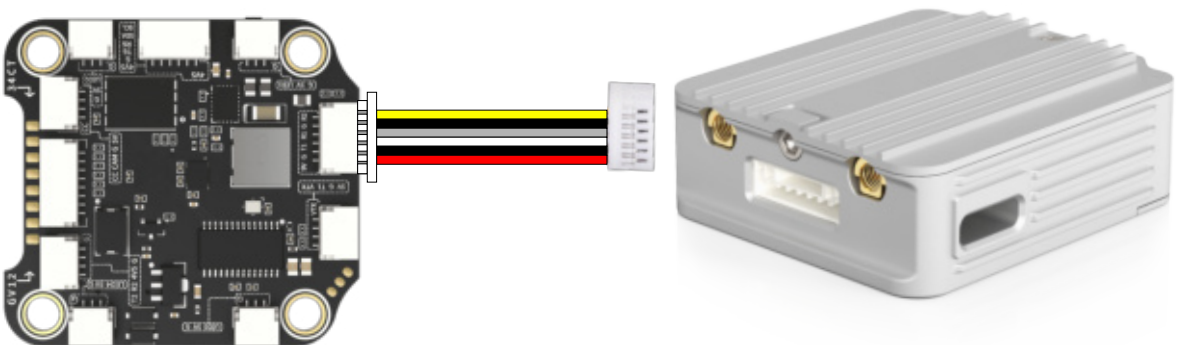
(See the accessory No.3 in the package section)



Cable Connection vs DJI Air Unit V1

Use 6-pin cable comes with the F7 V3 stack

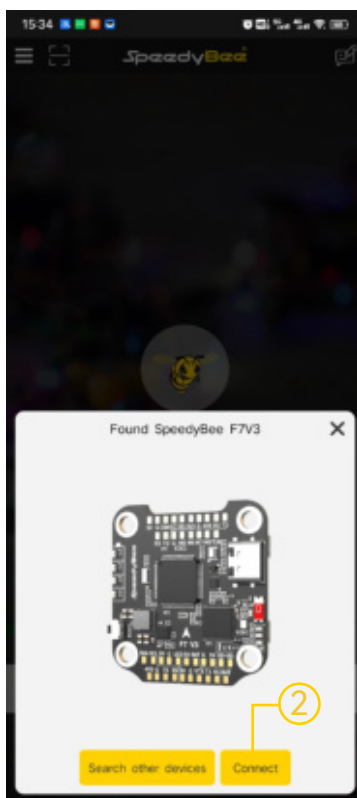
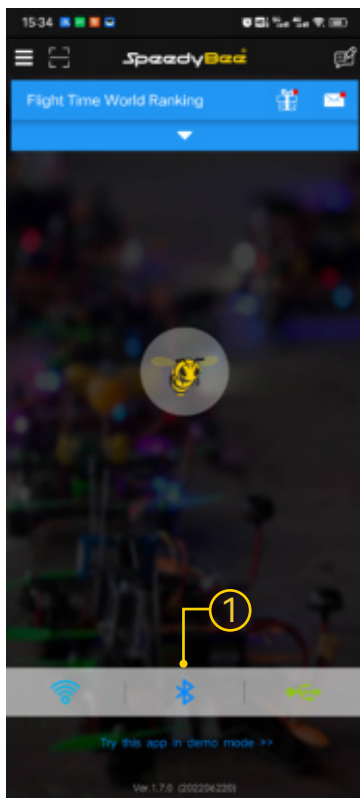
(See the accessory No.3 in the package section)

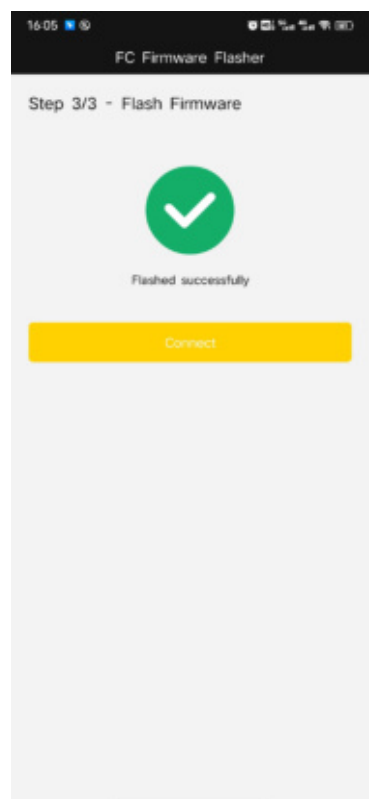
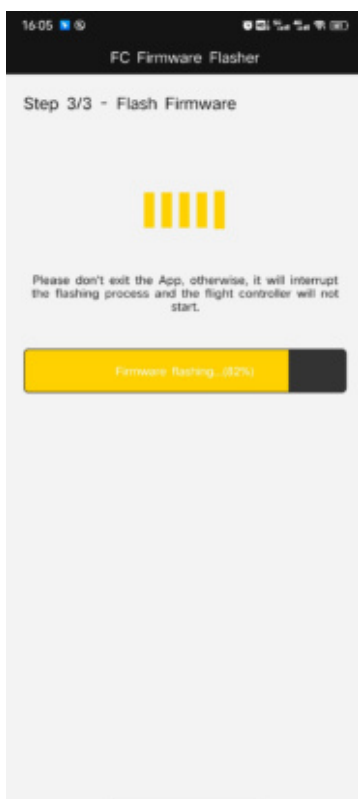
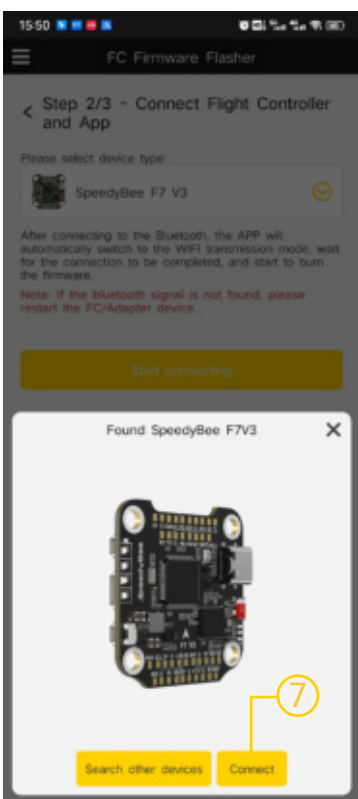
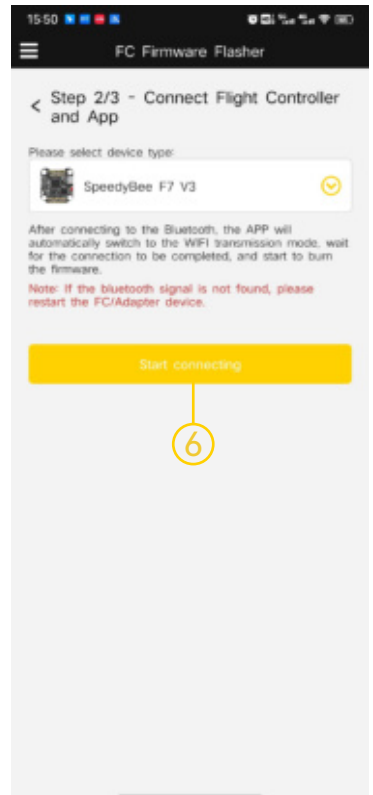
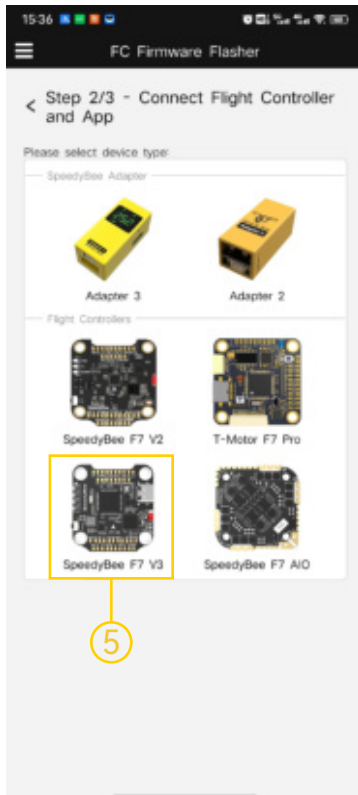
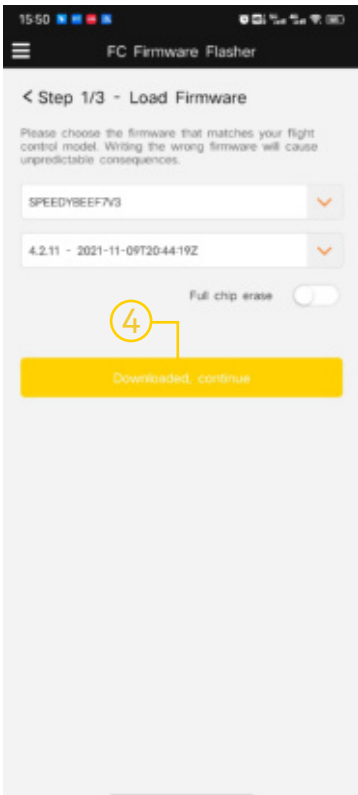
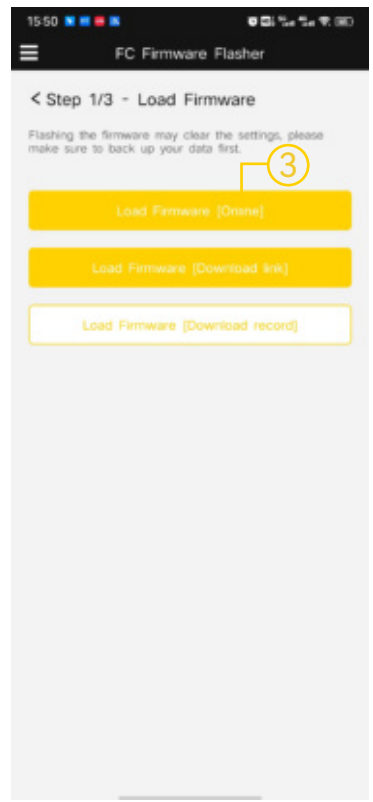
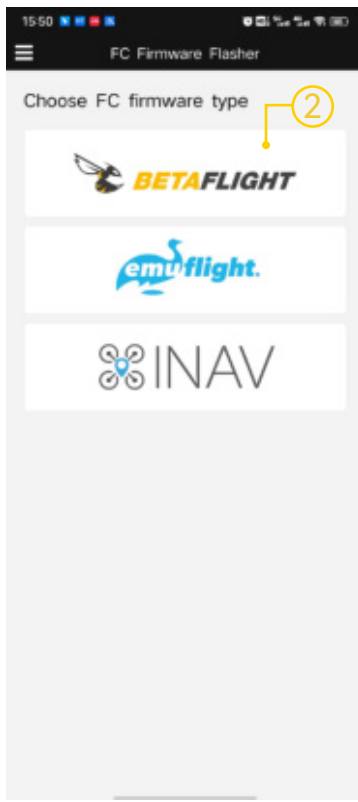
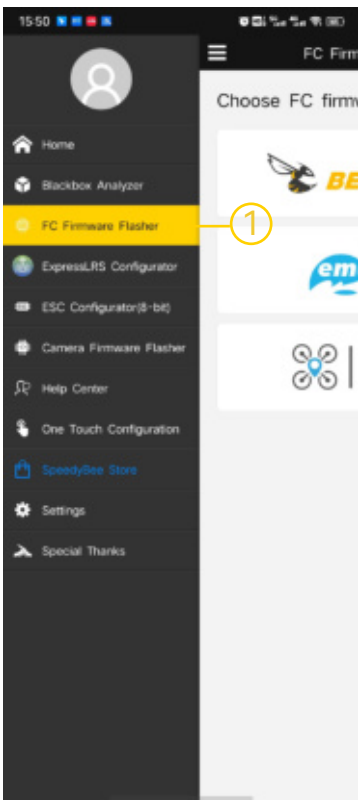


■ Get the SpeedyBee App

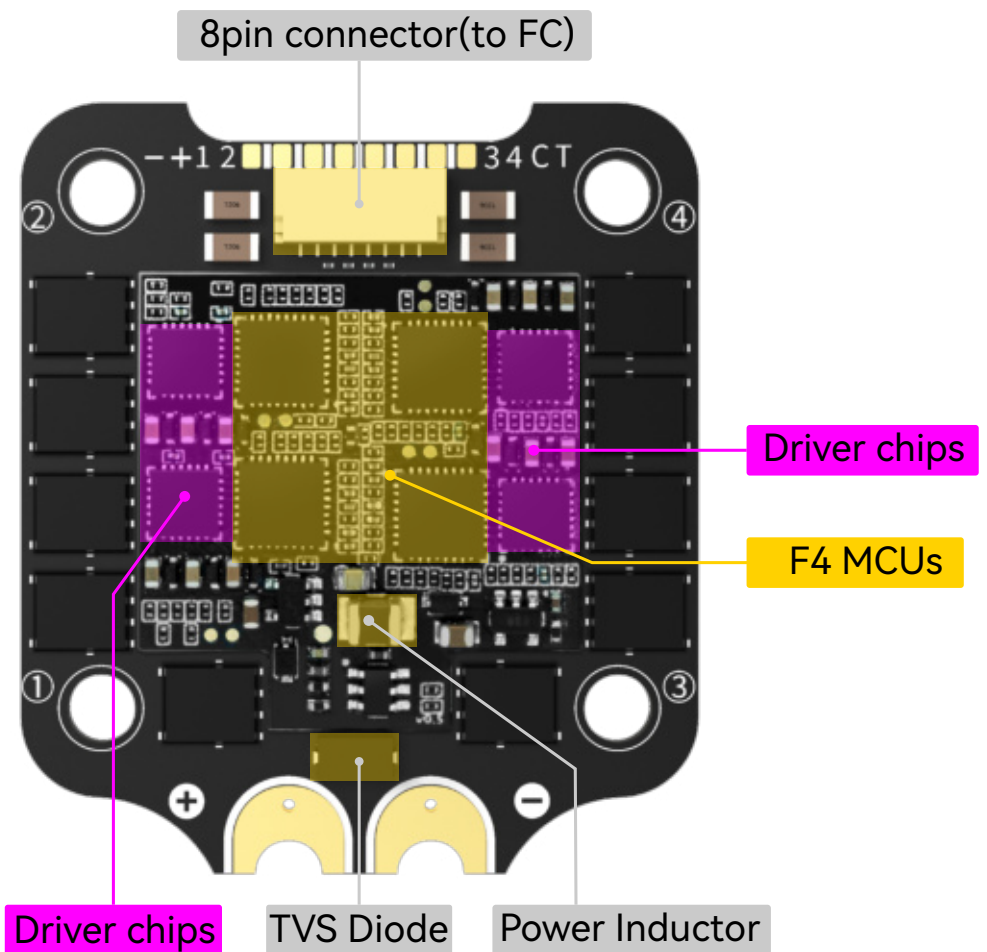
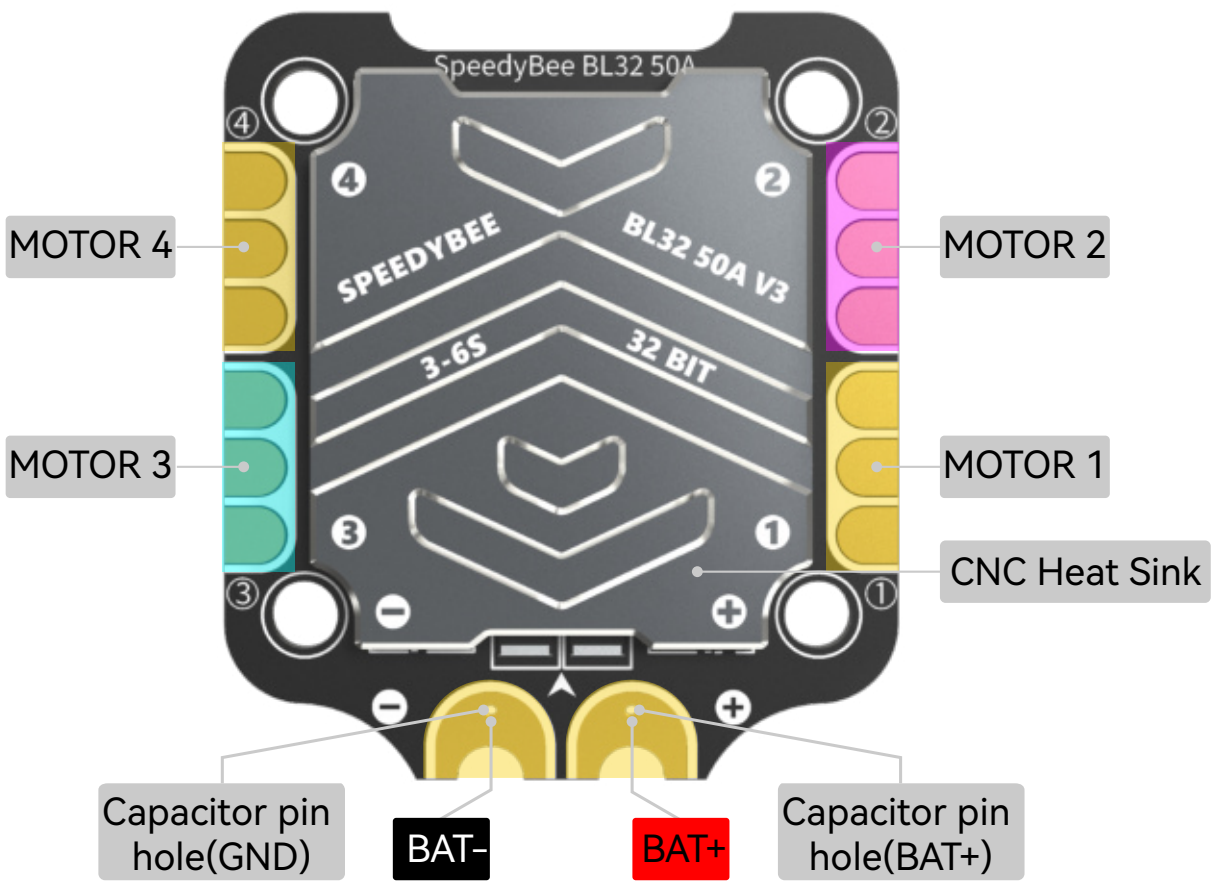
Search 'SpeedyBee' on Google Play or App Store. Or download the Android .apk file on our website: <https://www.speedybee.com/download>

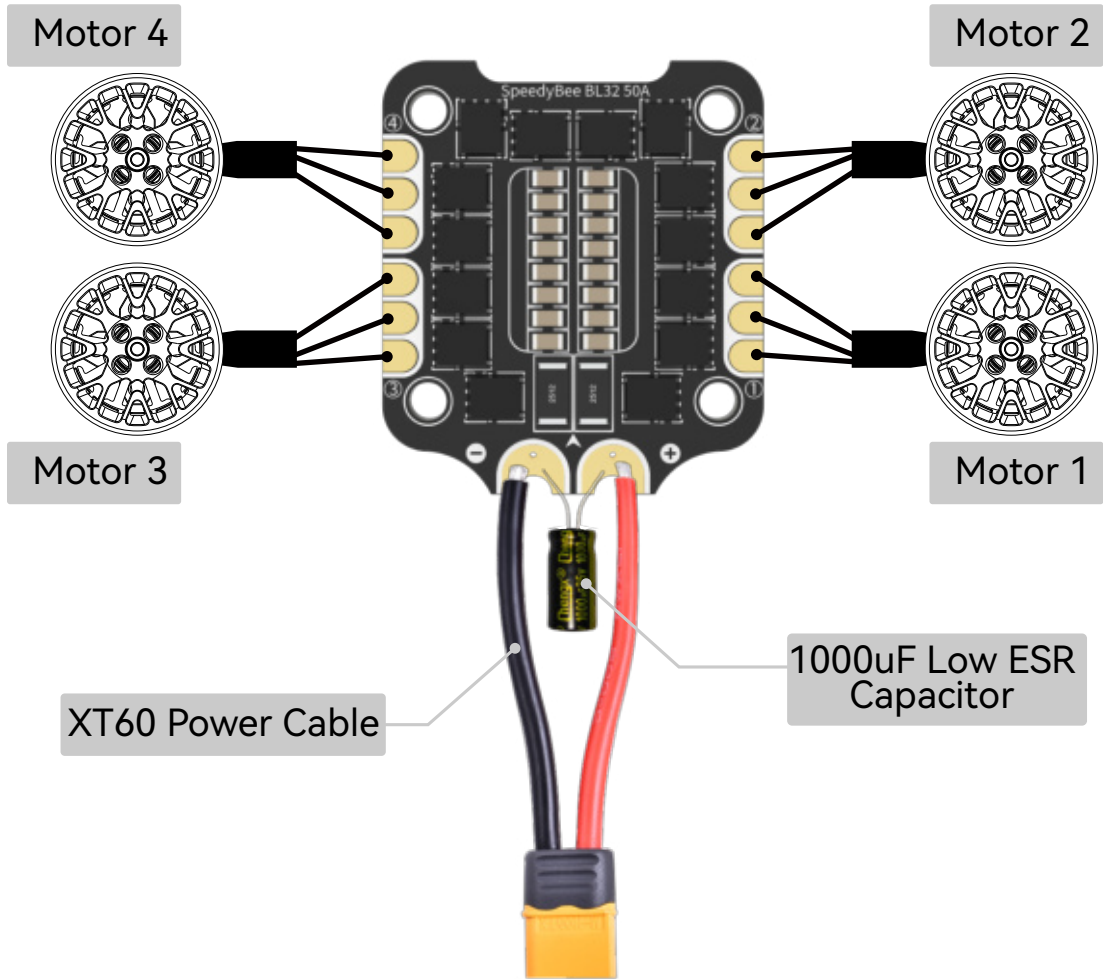
■ Connect the App





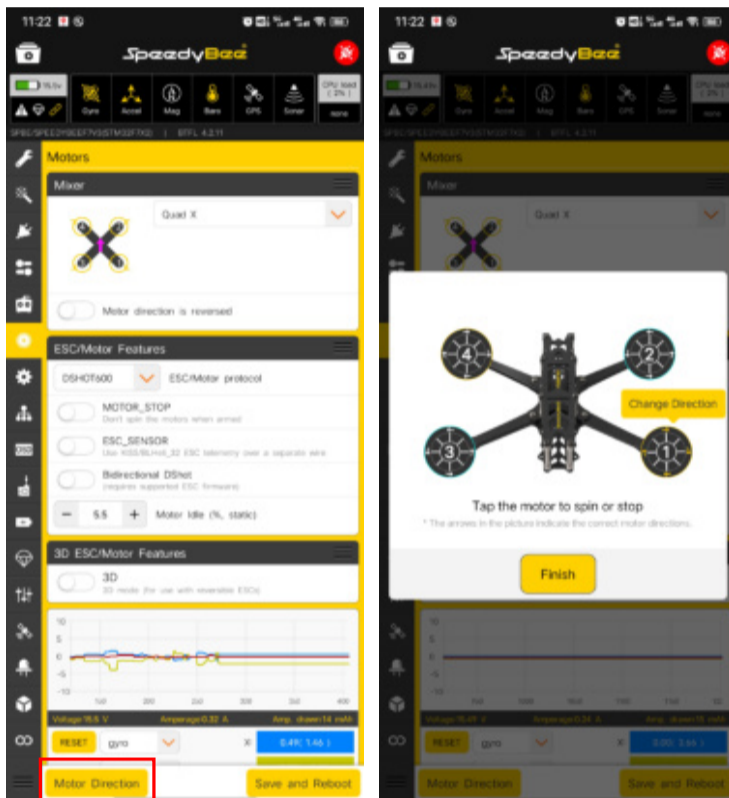
| | |
|--------------------------------------|---|
| Product Name | SpeedyBee F7 V3 Flight Controller |
| MCU | STM32F722 |
| IMU(Gyro) | BMI270 |
| USB Port Type | Type-C |
| Barometer | BMP280 |
| OSD Chip | AT7456E chip |
| BLE Bluetooth | Supported. Used for Flight Controller configuration,built-in a single 2.4 GHz Wi-Fi-and-Bluetooth combo chip |
| Flash FC Firmware Wirelessly | Supported. Please enter MENU > FC Firmware Flasher |
| Download/Analyze Blackbox | Supported.Please enter MENU > Blackbox Analyzer |
| DJI Air Unit Connection Way | Two ways supported: 6-pin connector or direct soldering. |
| 6-pin DJI Air Unit Plug | Supported. Completely compatible with DJI O3/RunCam Link/Caddx Vista/DJI Air Unit V1, no wire is needed to be changed. |
| Flash(for BlackBox) | 500MB |
| BetaFlight Camera Control Pad | Yes(CC pad on the front side) |
| Power Input | 3S - 6S Lipo |
| 5V Output | 10 groups of 5V output, three +5V pads and 1 BZ+ pad(used for Buzzer) on front side, and 6 +5V output included in the connectors on bottom side. The total current load is 2A. |
| 9V Output | 2 groups of 9V output, one +9V pad on front side and other included in a connector on bottom side. The total current load is 4A. |
| 3.3V Output | Supported. Designed for 3.3V-input receivers. Up to 500mA current load. |
| 4.5V Output | Supported. Designed for receiver and GPS module even when the FC is powered through the USB port. Up to 1A current load. |
| ESC Signal Pads | M1 - M4 on bottom side and M5-M8 on front side. |
| UART | 5 sets(UART1, UART2, UART3, UART4(For ESC Telemetry), UART6) |
| ESC Telemetry UART | R4(UART4) |
| I2C | Supported. SDA & SCL pads on front side. Used for magnetometer, sonar, etc. |
| LED Pad | Used for WS2812 LED controlled by Betaflight firmware. |
| Buzzer | BZ+ and BZ- pad used for 5V Buzzer |
| BOOT Button | Supported. [A]. Press and hold BOOT button and power the FC on at the same time will force the FC to enter DFU mode, this is for firmware flashing when the FC gets bricked. [B]. When the FC is powered on and in standby mode, the BOOT button can be used to controller the LED strips connected to LED1-LED4 connectors on the bottom side. By default, short-press the BOOT button to cycle the LED displaying mode. Long-press the BOOT button to switch between SpeedyBee-LED mode and BF-LED mode. Under BF-LED mode, all the LED1-LED4 strips will be controlled by Betaflight firmware. |
| RSSI Input | Supported. Named as RS on the front side. |
| SmartPort | Use any TX pad of UART for the SmartPort feature. |
| Supported Flight Controller Firmware | BetaFlight(Default),INAV |
| Firmware Target Name | SPEEDYBEEF7V3 |
| Mounting | 30.5 x 30.5mm(4mm hole diameter) |
| Dimension | 41(L) x 38(W) x 8.1(H)mm |
| Weight | 10.7g |





- **Note:** In order to prevent the stack from being burnt out instantaneous voltage spikes on powering up, it is strongly recommended to use the Low ESR capacitor in the package.

- This ESC is a 32-bit ESC running BLHeli32 firmware inside. Since the BLHeli32 is close-sourced. So ESC configuration & firmware update can't be done wirelessly in the SpeedyBee app. Please download the latest BLHeliSuit32 configurator to setup your ESC at <https://github.com/bitdump/BLHeli/releases>.
- Even so, you could still change motor directions in the app for this ESC. Please connect to the app, go to Motors page, click the button shown below. Then experience the easiest and coolest way to change motor directions.



Specifications

| | |
|----------------------------|---|
| Product Name | SpeedyBee BL32 50A 4-in-1 ESC |
| Firmware | J-H-50 |
| Configurator Download Link | http://github.com/bitdump/BLHeli/releases |
| Continuous Current | 50A * 4 |
| Burst Current | 55A(5seconds) |
| TVS Protective diode | Yes |
| Heat Sink | Yes |
| External Capacitor | 1000uF Low ESR Capacitor(In the package) |
| ESC Protocol | DSHOT300/600 |
| PWM Frequency Range | 16KHz-128KHz |
| Power Input | 3-6S LiPo |
| Power Output | VBAT |
| Current Sensor | Support (Scale=490 Offset=0) |
| ESC Telemetry | supported |
| Mounting | 30.5 x 30.5mm(4mm hole diameter) |
| Dimension | 45.6(L) * 40(W) * 8.8mm(H) |
| Weight | 19.2g with heat sink |