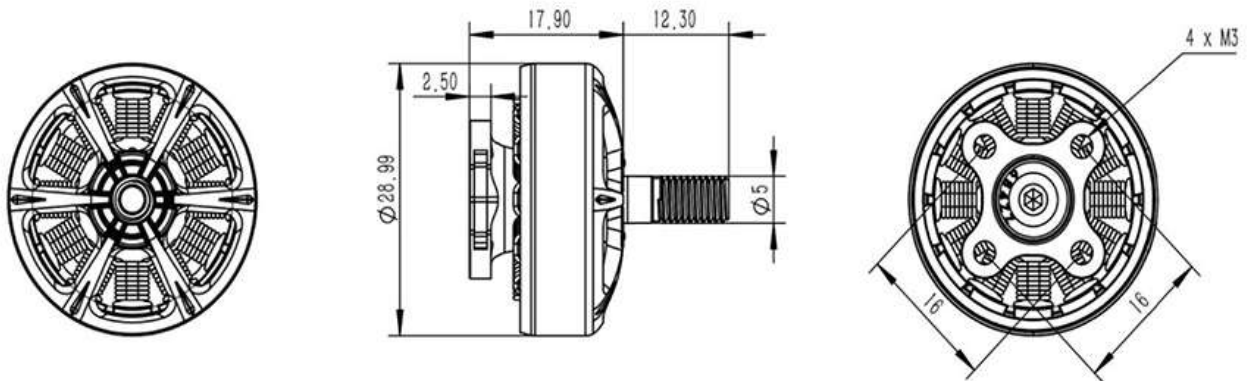


DATURA 2306.5-2020KV

Technical Datas

KV	2020
Configu-ration	12N14P
Stator Diamter	23mm
Stator Length	6.5mm
Shaft Diameter	4mm(Hollow)
Motor Dimension(Dia.*Len)	Φ 28.99*30.2mm
Weight(g)	32 (3cm Wire)
Idle current(10)@10V(A)	1.4
No.of Cells(Lipo)	4~6S
Max Continuous Power(W) 3S	1156
Internal Resistance	43mΩ
Max Current(3S)	52.1A
Max.Efficiency Current	(6-10A)>84%



Prop (inch)	Voltages (V)	Throttle (%)	Load Currency (A)	Pull(g)	Power(W)	Efficiency(g/W)	Temperature(in full throttle load 3's)
DAL T5143.5	22.2	50%	8	587	177.6	3.305	72°C
		100%	39	1685	865.8	1.946	
DAL T5146.5	22.2	50%	9.4	675	208.7	3.235	76°C
		100%	41.9	1785	930.2	1.919	
DAL T5147.5	22.2	50%	7.6	576	168.7	3.414	72°C
		100%	37	1585	821.4	1.930	
DAL T5148.5	22.2	50%	9.4	671	208.7	3.215	77°C
		100%	42.2	1779	936.8	1.899	
DAL N1	22.2	50%	9.7	727	215.3	3.376	76°C
		100%	41.6	1815	923.5	1.965	
DAL N2	22.2	50%	8.7	626	193.1	3.241	75°C
		100%	41.3	1692	916.9	1.845	
DAL T5046C	22.2	50%	9.7	745	215.3	3.460	78°C
		100%	44.5	1958	987.9	1.982	
DAL F6	22.2	50%	11.7	845	259.7	3.253	85°C(HOT)
		100%	52.1	2041	1156.6	1.765	