

# SpeedyBee

# Stack

BLS 50A 30x30

F405 V3

## Contents (Click on any section to jump)

### Part 1 - OverView

- Specs Overview 1
- Dimensions 2
- Package 3
- FC & ESC Connection 4

### Part 2 - SpeedyBee F405 V3 Flight Controller

- Layout 5
- FC's Peripheral Connection 6
- App & FC Configuration 7
- FC Firmware Update 8
- Specifications 9

### Part 3 - SpeedyBee BLS 50A 4-in-1 ESC

- Layout 10
- Connection with Motors & Power Cable 11
- ESC Configuration 12
- ESC Firmware Update 13
- Specifications 14

**SpeedyBee**<sup>®</sup>

F405 V3 BLS 50A 30x30 Stack

User Manual V1.0

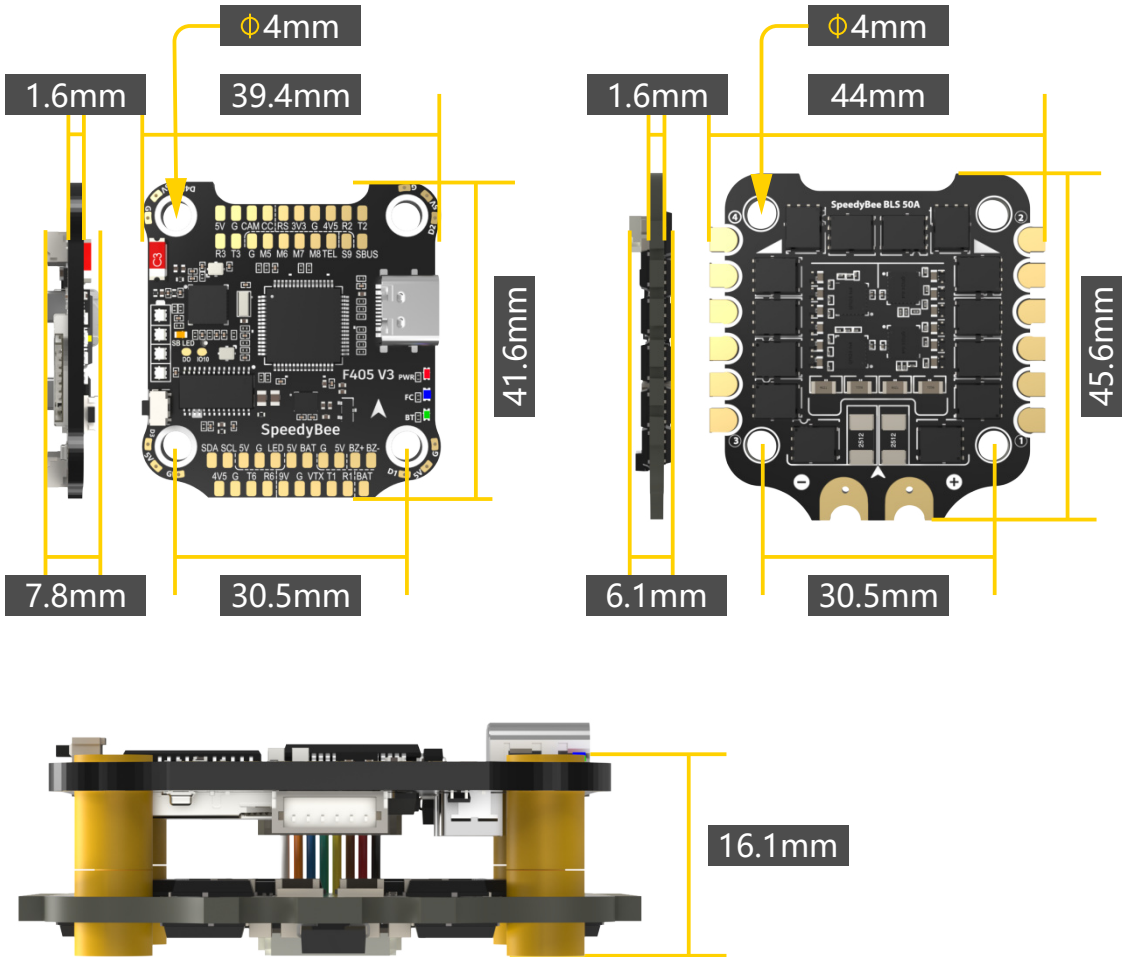
# Part 1 - Overview

## Specs Overview

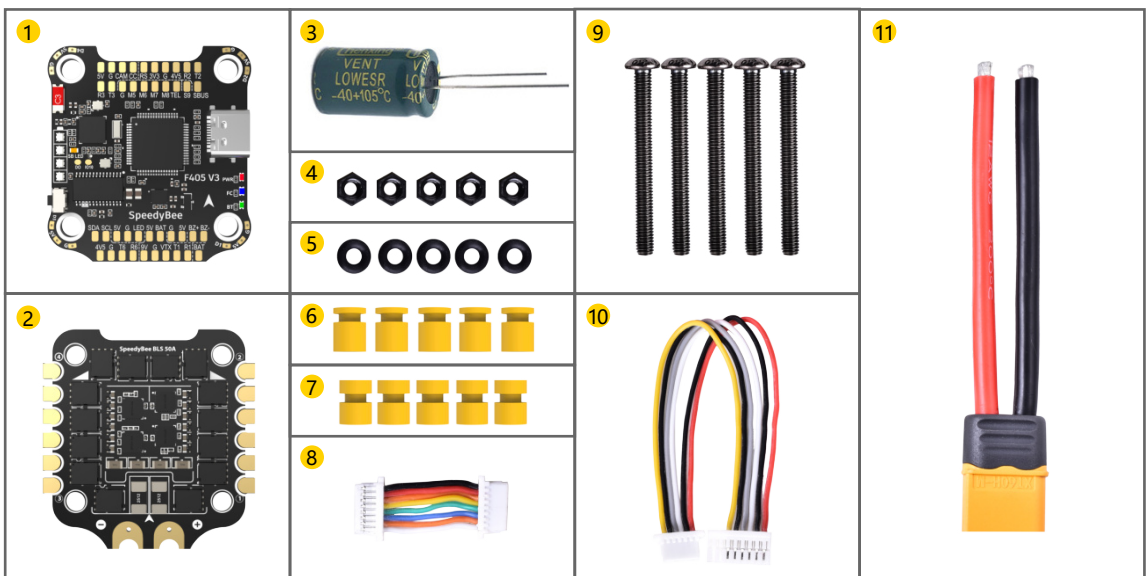
1/14

<b>Product Name</b>	SpeedyBee F405 V3 BLS 50A 30x30 Stack
<b>Flight Controller</b>	SpeedyBee F405 V3
<b>ESC</b>	SpeedyBee BLS 50A 4-in-1 ESC
<b>Bluetooth</b>	Supported. For FC & ESC parameter settings
<b>Wireless FC Firmware Flashing</b>	NOT Supported
<b>Wireless Blackbox Dwonload &amp; Analysis</b>	NOT Supported
<b>Power Input</b>	3-6S LiPo
<b>Mounting</b>	30.5 x 30.5mm (4mm hole size )
<b>Dimension</b>	45.6mm(L) x 44mm(W) x 18.3mm(H)
<b>Weight</b>	23.4g

# Dimensions

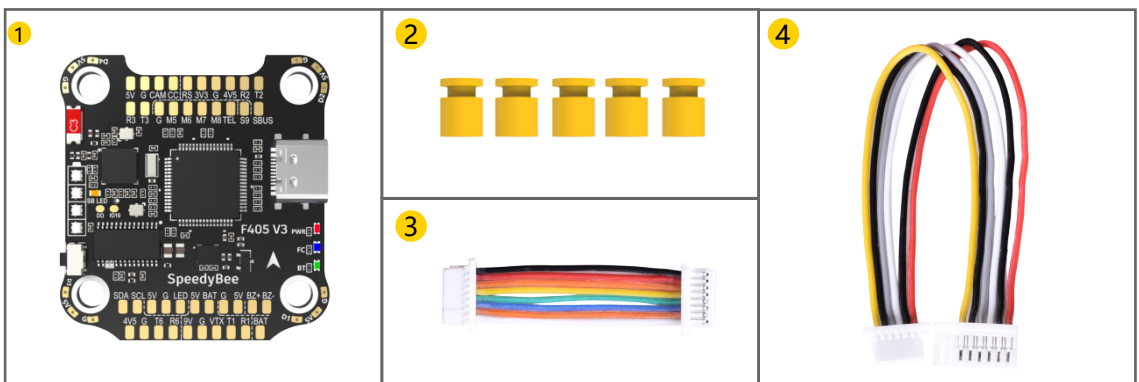


### Option 1 – SpeedyBee F405 V3 50A 30x30 Stack



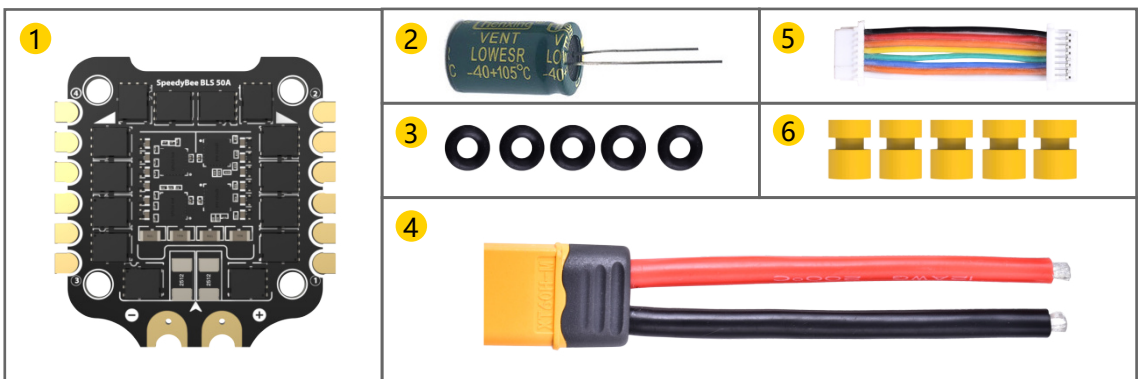
- 1 SpeedyBee F405 V3 Flight Controller x 1
- 2 SpeedyBee BLS 50A 4-in-1 ESC x 1
- 3 35V 1500uF Low ESR Capacitor x 1
- 4 M3 Nylon Nut x 5
- 5 M3 silicone O Ring x 5
- 6 M3\*8mm Silicone Grommets(for FC) x 5
- 7 M3\*8.1mm Silicone Grommets(for ESC) x 5
- 8 SH 1.0mm 15mm-length 8pin Cable(for FC-ESC connection) x 1
- 9 M3\*30mm Iner-hexagon Screws x 4
- 10 DJI 6pin Cable(80mm) x 1
- 11 XT60 Power Cable(70mm) x 1

### Option 2 – SpeedyBee F405 V3 Flight Controller



- 1 SpeedyBee F405 V3 Flight Controller x 1
- 2 M3\*8mm Silicone Grommets(for FC) x 5
- 3 SH 1.0mm 30mm-length 8pin Cable(for FC-ESC connection) x 1
- 4 DJI 6pin Cable(80mm) x 1

### Option 3 – SpeedyBee BLS 50A 4-in-1 ESC

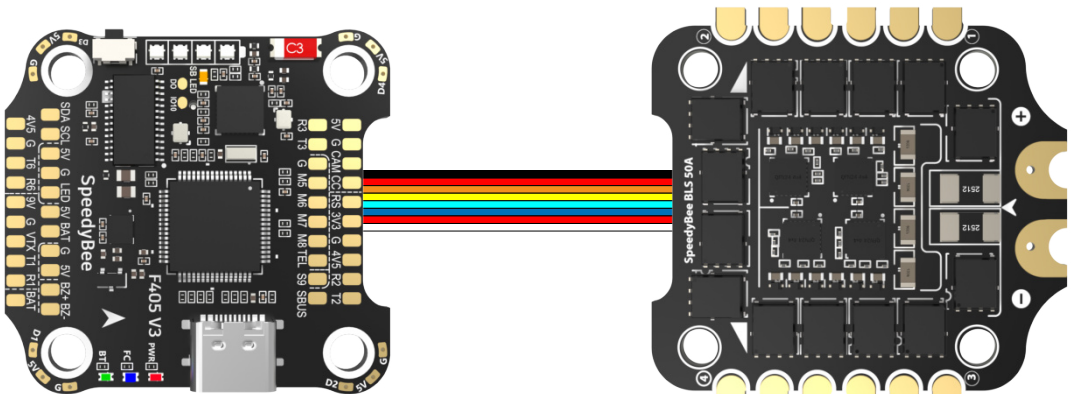


- 1 SpeedyBee BLS 50A 4-in-1 ESC x 1
- 2 35V 1500uF Low ESR Capacitor x 1
- 3 M3 silicone O Ring x 5
- 4 XT60 Power Cable(70mm) x 1
- 5 SH 1.0mm 30mm-length 8pin Cable(for FC-ESC connection) x 1
- 6 M3\*8.1mm Silicone Grommets(for ESC) x 5

Use the 8-pin cable in the package to connect the FC and the ESC. Or solder 8 wires directly to the 8 pads on each end.

## Method 1 - Using 8-pin cable

Use any end of the 8-pin JST cable to connect the FC to the ESC.

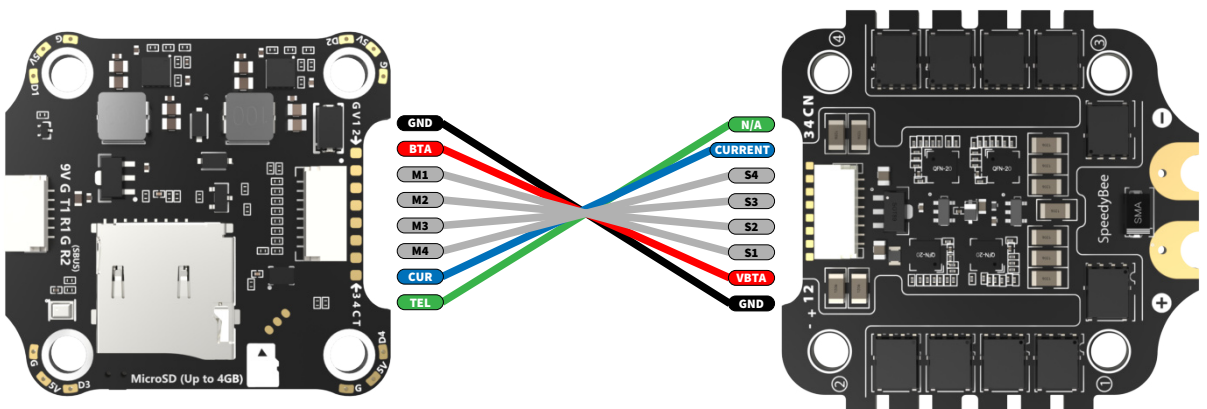


F7 V3 Flight Controller

BL32 50A 4-in-1 ESC

## Method 2 - Direct soldering

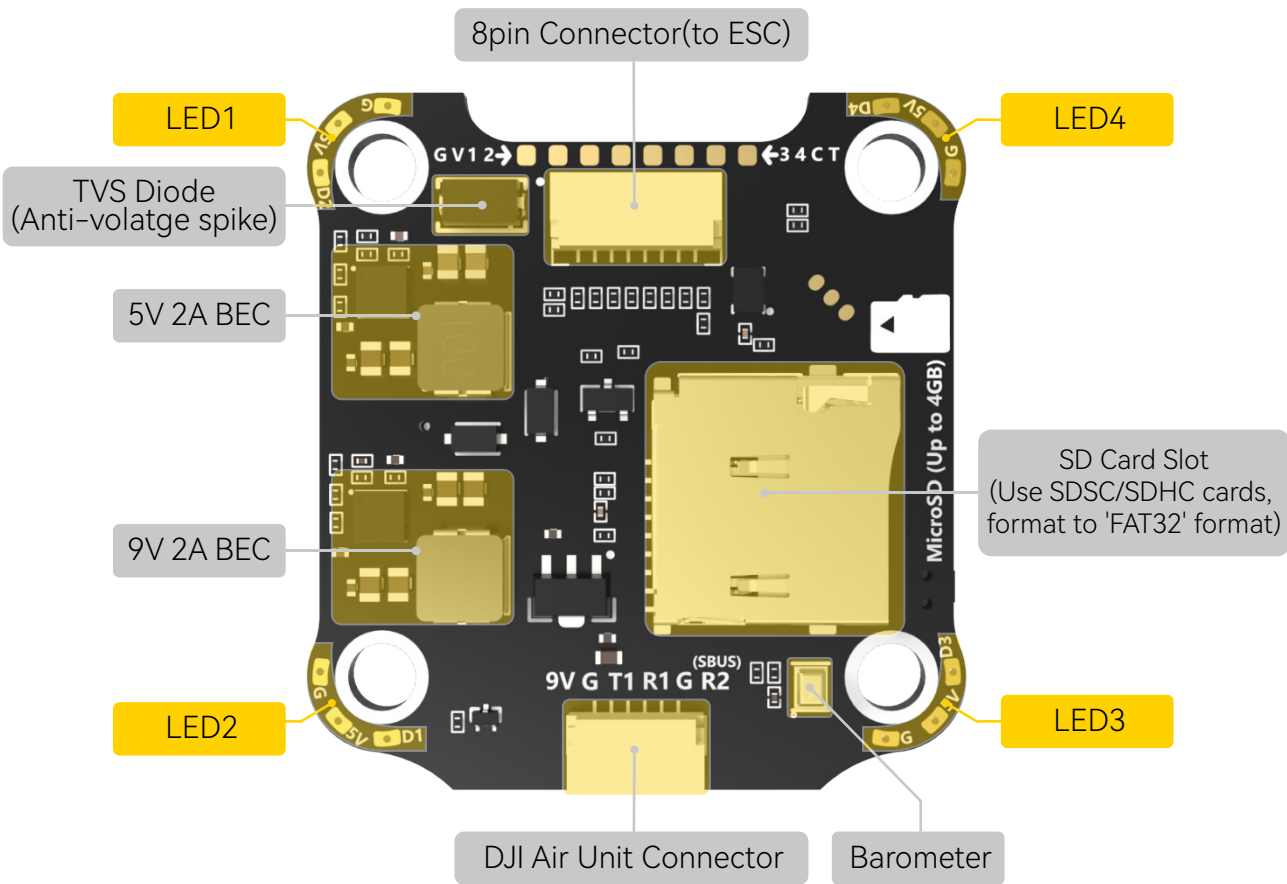
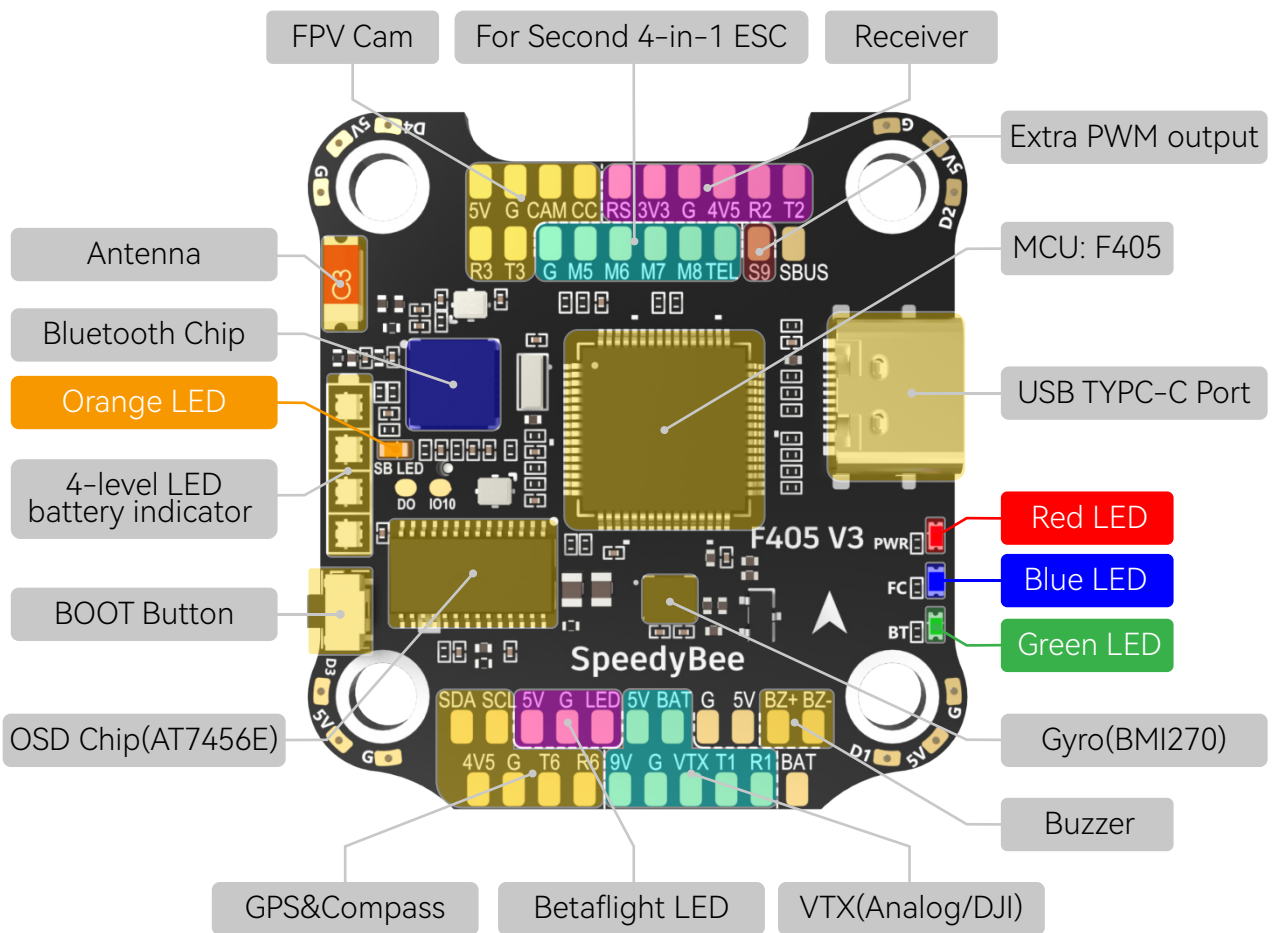
Solder 8 wires to the 8 pads on each end referring to the pad definition below.



F405 V3 Flight Controller

BLS 50A 4-in-1 ESC

# Part 2 - F405 V3 Flight Controller



## ■ LED Indicator Definition

- RED LED** - Power Indicator. **Solid Red** after powering up.
- GREEN LED** - Bluetooth status light. **Solid Green** indicates Bluetooth is connected.
- BLUE LED** - Flight controller status light which is controlled by the flight controller firmware.
- Orange LED** - LED Control Mode Indicator. It indicates the 4 sets of LED strips connected to LED1-LED4 pads on the corners of the flight controller are controlled by Betaflight firmware(BF\_LED mode) or the Bluetooth chip(SB\_LED mode).  
**Solid Orange** : indicates the 4 x LEDs are in SB\_LED mode. In this mode, when the FC is powered on and in standby mode, press the BOOT button to cycle the display modes of the LEDs. You could also change modes in the app wirelessly.  
**OFF** : indicates the 4 x LEDs are controlled by Betaflight firmware.  
Long press the button for 3 seconds to switch the control modes between BF\_LED mode and SB\_LED mode.

## ■ BOOT Button

[A] Only if the flight controller gets bricked and can't power up, please follow these steps to re-flash firmware for it:

- ① Insert a USB A to TYPE-C cable to your PC.
- ② Press and hold the BOOT button, insert the USB cable into the flight controller, then release the BOOT button.
- ③ Open Betaflight/Emuflight/INAV configurator on the PC, go to the 'Firmware Flashing' page, choose the target 'SPEEDYBEEF405V3' and flash.

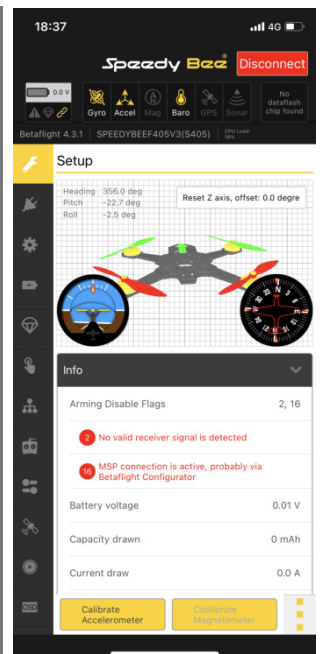
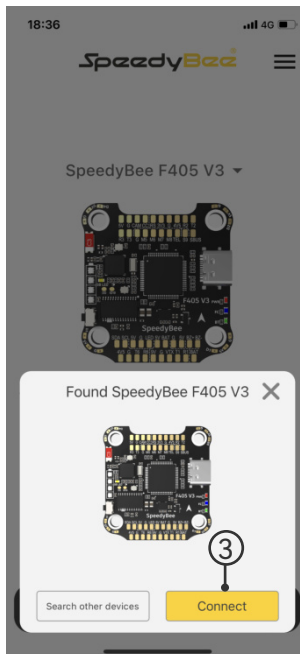
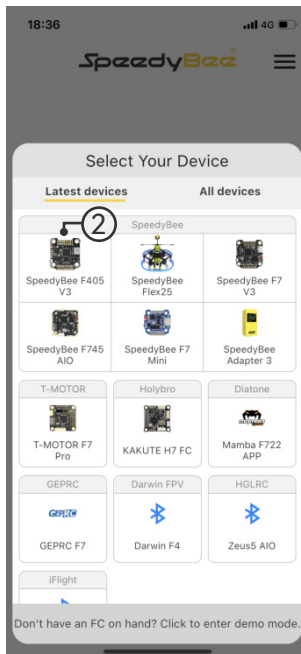
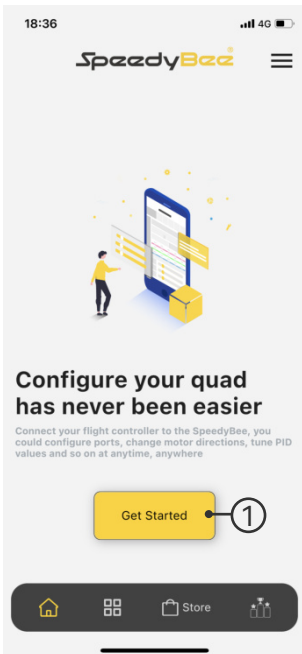
[B]. When the FC is powered on and in standby mode, the BOOT button can be used to control the LED strips connected to LED1-LED4 pads on the corners. By default, short-press the BOOT button to cycle the LED displaying mode. Long-press the BOOT button to switch between SpeedyBee-LED mode and BF-LED mode. Under BF-LED mode, all the LED1-LED4 strips will be controlled by the Betaflight firmware.



## ■ Get the SpeedyBee App

Search 'SpeedyBee' on Google Play or App Store. Or download the Android .apk file on our website: <https://www.speedybee.com/download>.

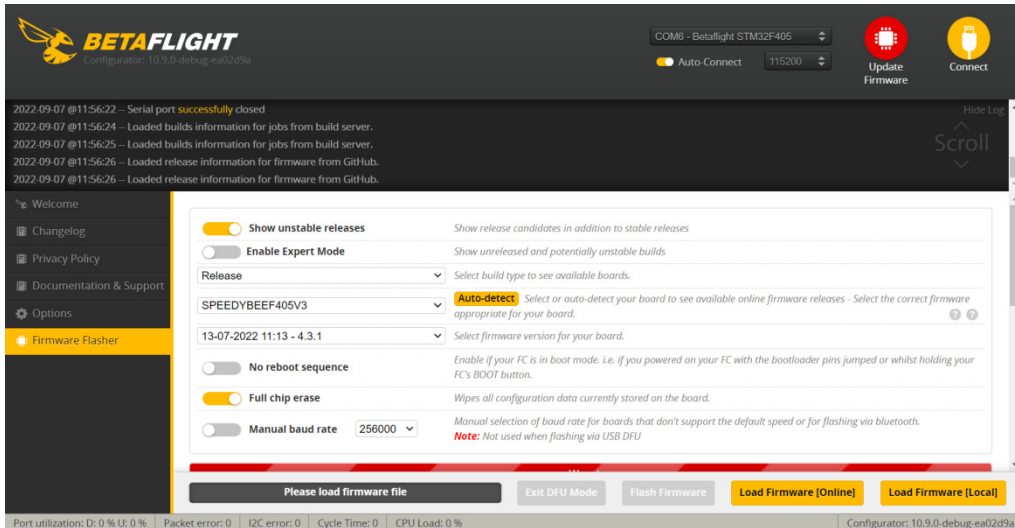
## ■ FC Configuration





SpeedyBee F405 V3 flight controller does not support wireless firmware flashing, so please flash firmware for it on your PC following the steps below:

- ① Connect the flight controller to the PC with a USB cable
- ② Open Betaflight/Emuflight/INAV configurator on your PC. Take Betaflight configurator as an example, go to the 'Firmware Flashing' page, choose the target '**SPEEDYBEEF405V3**' and flash.

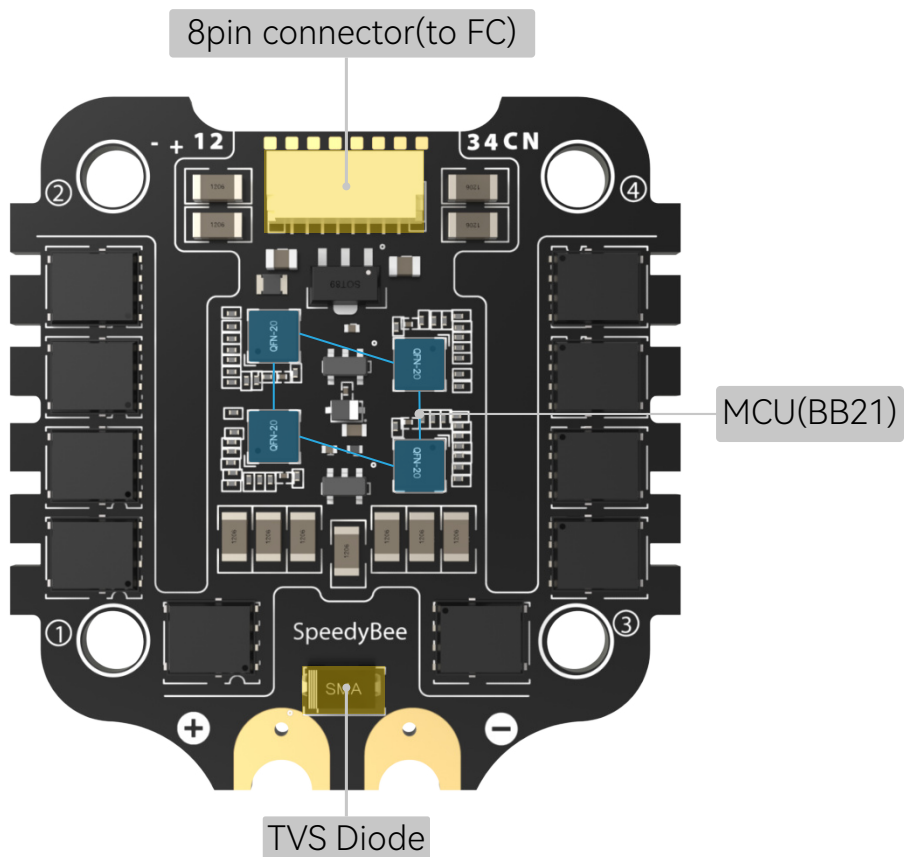
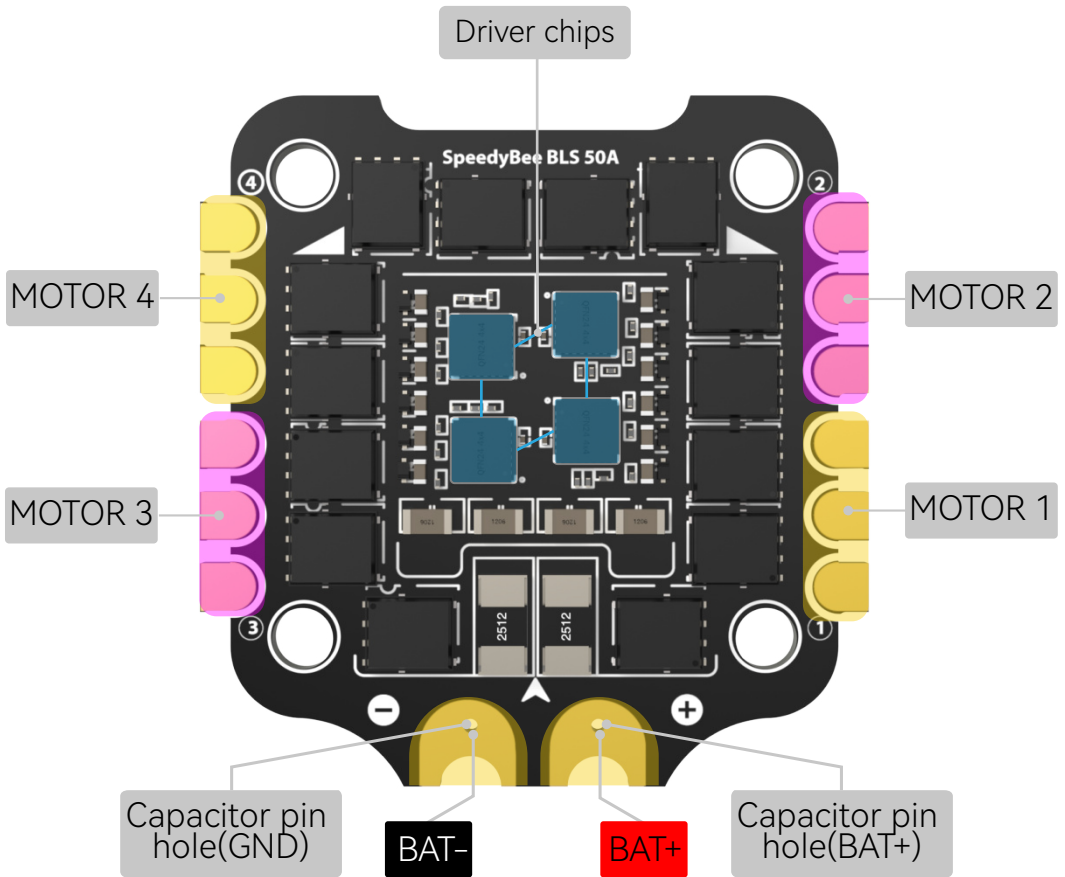


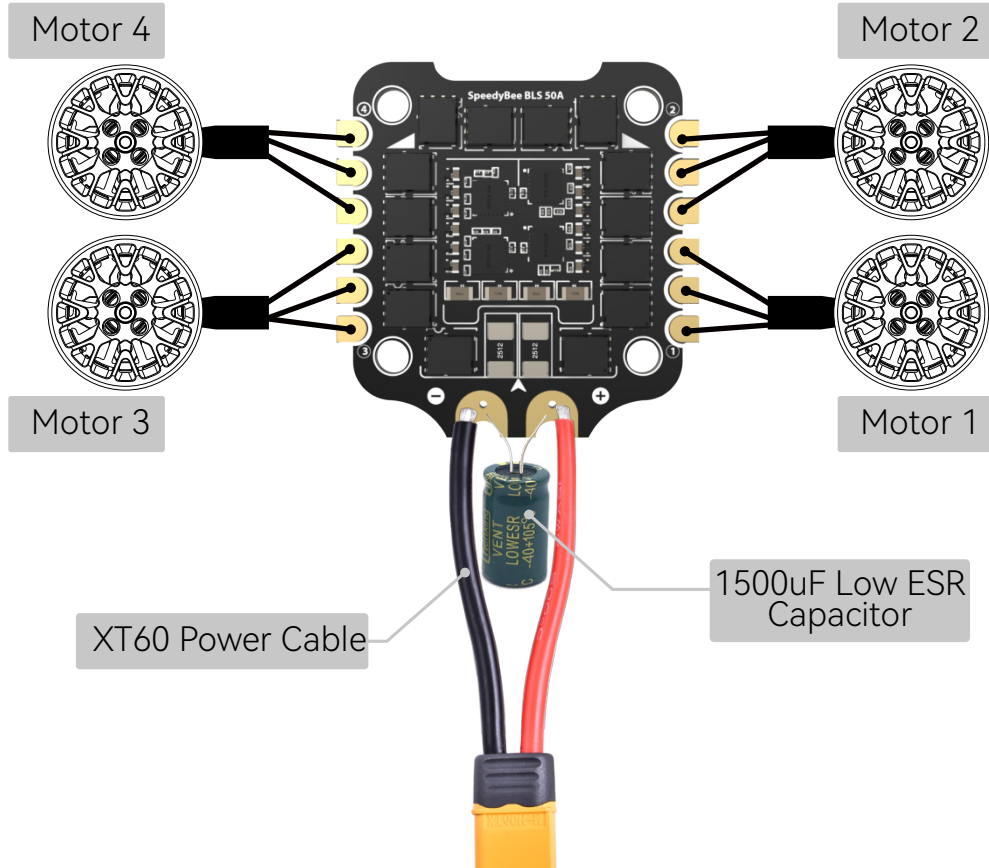
Product Name	SpeedyBee F405 V3 30x30 Flight Controller
MCU	STM32F405
IMU(Gyro)	BMI270
USB Port Type	Type-C
Barometer	Built-in
OSD Chip	AT7456E chip
BLE Bluetooth	Supported. Used for Flight Controller configuration
DJI Air Unit Connection Way	Two ways supported: 6-pin connector or direct soldering.
Blackbox MicroSD Card Slot	Supported. Please use $\leq 4$ GB SDSC/SDHC microSD card and should be formatted to FAT16/FAT32 format. Don't use SDXC cards. Note: Betaflight can only recognize 4GB max.
BetaFlight Camera Control Pad	Yes(CC pad on the front side)
Current Sensor Input	Supported. For SpeedyBee BLS 50A ESC, please set scale = 386 and Offset = 0.
Power Input	3S - 6S Lipo(Through G, BAT pins/pads from the 8-pin connector or 8-pads on the bottom side)
5V Output	9 groups of 5V output, four +5V pads and 1 BZ+ pad( used for Buzzer) on front side, and 4x LED 5V pads. The total current load is 2A.
9V Output	2 groups of 9V output, one +9V pad on front side and other included in a connector on bottom side. The total current load is 2A.
3.3V Output	Supported. Designed for 3.3V-input receivers. Up to 500mA current load.
4.5V Output	Supported. Designed for receiver and GPS module even when the FC is powered through the USB port. Up to 1A current load.
ESC Signal	M1 - M4 on bottom side and M5-M8 on front side.
UART	5 sets(UART1, UART2, UART3, UART4(For ESC Telemetry), UART6)
ESC Telemetry UART	R4(UART4)
I2C	Supported. SDA & SCL pads on front side. Used for magnetometer, sonar, etc.
Traditional Betaflight LED Pad	Supported. 5V, G and LED pads on bottom of the front side. Used for WS2812 LED controlled by Betaflight firmware.
Buzzer	BZ+ and BZ- pad used for 5V Buzzer
BOOT Button	Supported. [A]. Press and hold BOOT button and power the FC on at the same time will force the FC to enter DFU mode, this is for firmware flashing when the FC gets bricked. [B]. When the FC is powered on and in standby mode, the BOOT button can be used to controller the LED strips connected to LED1-LED4 connectors on the bottom side. By default, short-press the BOOT button to cycle the LED displaying mode. Long-press the BOOT button to switch between SpeedyBee-LED mode and BF-LED mode. Under BF-LED mode, all the LED1-LED4 strips will be controlled by Betaflight firmware.
RSSI Input	Supported. Named as RS on the front side.
SmartPort	Use any TX pad of UART for the SmartPort feature.
Supported Flight Controller Firmware	BetaFlight(Default), EMUFlight, INAV
Firmware Target Name	SPEEDYBEEF405V3
Mounting	30.5 x 30.5mm( 4mm hole diameter)
Dimension	41.6(L) x 39.4(W) x 7.8(H)mm
Weight	9.6g

# Part 3 - SpeedyBee BLS 50A 4-in-1 ESC

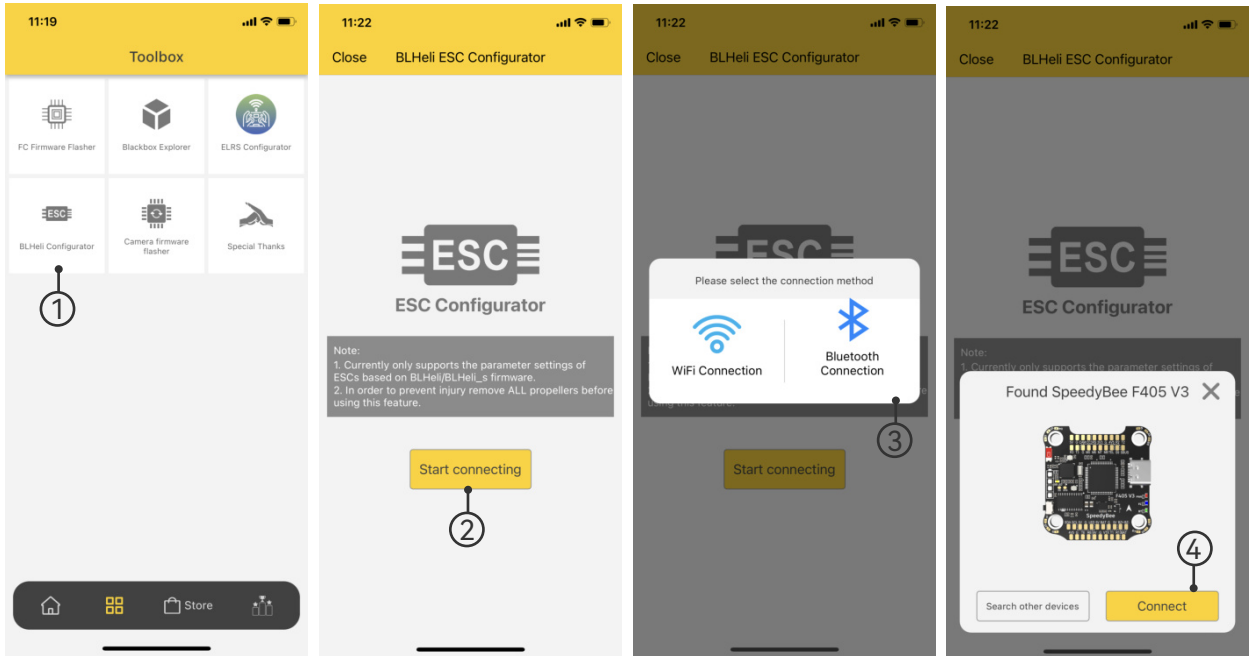
## Layout

10/14





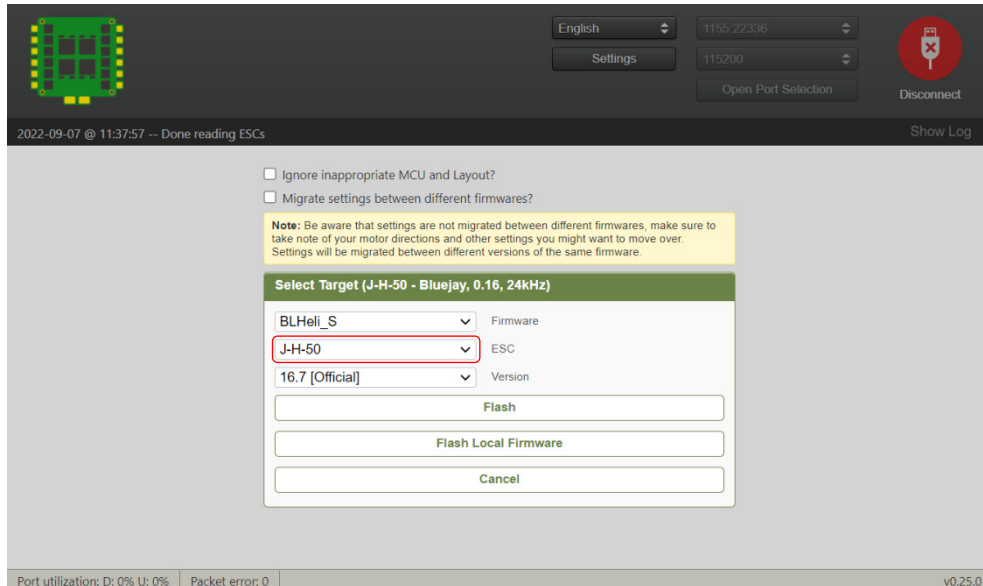
- **Note:** In order to prevent the stack from being burnt out by voltage spikes on powering up, it is strongly recommended to use the Low ESR capacitor in the package.



■ If you'd like to use a PC configurator, we recommend the [ESC Configurator](#).

# ESC Firmware Update

- We recommend using the [ESC Configurator](#) on your PC to update firmware for this ESC. Please make sure to select 'JH-50' as the ESC type for either BLHeli\_S or Bluejay.



The screenshot shows the ESC Configurator software interface. At the top, there is a header bar with a green ESC chip icon on the left, and on the right, a language dropdown set to 'English', two baud rate dropdowns (1155.22336 and 115200), a 'Settings' button, an 'Open Port Selection' button, a red 'Disconnect' button with a USB icon, and a 'Show Log' button. Below the header, a status bar shows '2022-09-07 @ 11:37:57 -- Done reading ESCs'. The main area contains two checkboxes: 'Ignore inappropriate MCU and Layout?' and 'Migrate settings between different firmwares?'. A yellow note box states: 'Note: Be aware that settings are not migrated between different firmwares, make sure to take note of your motor directions and other settings you might want to move over. Settings will be migrated between different versions of the same firmware.' Below this is a 'Select Target (J-H-50 - Bluejay, 0.16, 24kHz)' dialog box with three dropdown menus: 'BLHeli\_S' (Firmware), 'J-H-50' (ESC, highlighted with a red box), and '16.7 [Official]' (Version). At the bottom of the dialog are three buttons: 'Flash', 'Flash Local Firmware', and 'Cancel'. The footer of the application shows 'Port utilization: D: 0% U: 0%' and 'Packet error: 0' on the left, and 'v0.25.0' on the right.

# Specifications

14/14

Product Name	SpeedyBee BLS 50A 30x30 4-in-1 ESC
Firmware	BLHeli_S JH50
Wireless Configuration	Full Configuration Supported in the SpeedyBee app
PC Configurator Download Link	<a href="https://esc-configurator.com/">https://esc-configurator.com/</a>
Continuous Current	50A * 4
Burst Current	55A(5S)
TVS Protective diode	Yes
External Capacitor	1500uF Low ESR Capacitor(In the package)
ESC Protocol	DSHOT300/600
Power Input	3-6S LiPo
Power Output	VBAT
Current Sensor	Support (Scale=386 Offset=0)
Mounting	30.5 x 30.5mm( 4mm hole diameter)
Dimension	45.6(L) * 44(W) * 6.1mm(H)
Weight	13.8g