
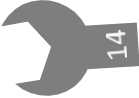






REENTION ELECTRICAL AND MECHANICAL CO.,LTD
Cuttle battery case assembly introduction

Name	Cuttle battery case	Model	DC-1C/2C	Version	A
------	---------------------	-------	----------	---------	---

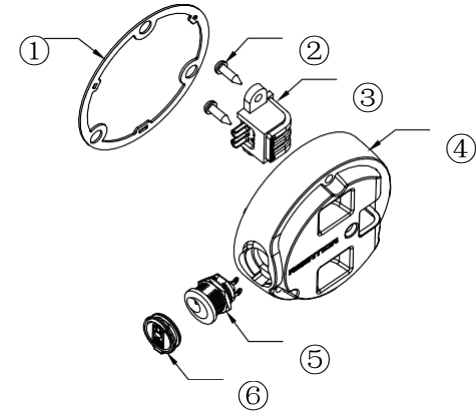
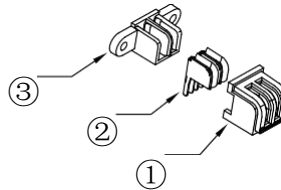
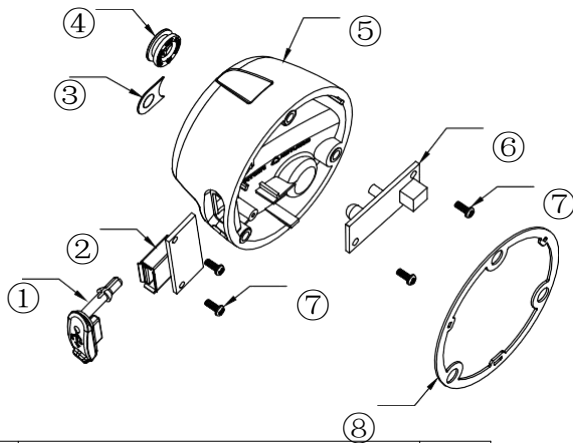
Tools of assembly

Name	Where to use		Tools
Battery case	Battery case/power display board/discharging port	 Ph1#	φ5*PH1 Cross head screw driver
	Charging port		14mm Open-end wrench
Sliding rail	Fixing screw	 Ph1#	φ5*PH1 Cross head screw driver
	Lock	 Ph2#	φ5*PH2 Cross head screw driver

Review		Establish		Date	
--------	--	-----------	--	------	--

Name	Cuttle battery case	Model	DC-1C/2C	Version	A
------	---------------------	-------	----------	---------	---

Battery case assembly instruction 1/2



	Specification	Qty
①	Cuttle USB cover PLA0248	1
②	Cuttle Horizontal USBsocket	1
③	Power display cover	1
④	DS button PLA0184 Black	1
⑤	Cuttle battery case upper cover PLA0240	1
⑥	Power display board	1
⑦	ST2.0*5 screw	4
⑧	Cuttle battery case gasket	1

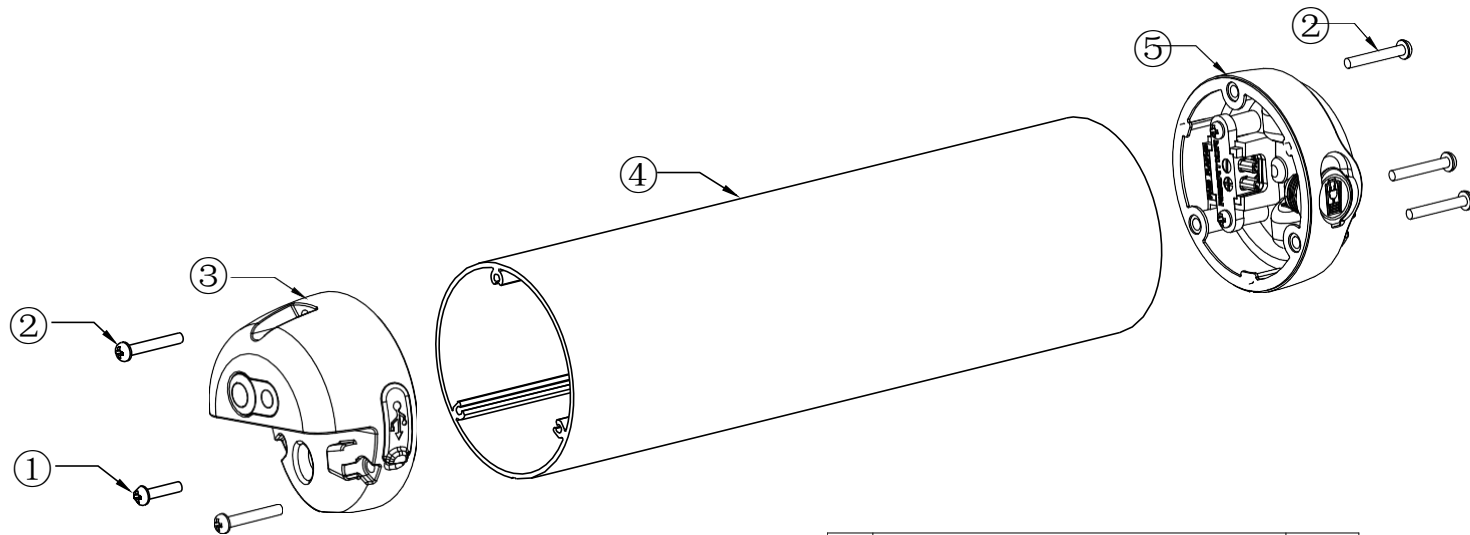
	Specification	Qty
①	2PIN right angle dischrnging port house PLA0148	1
②	Discharging termial HAR0026	2
③	2PIN right angle discharging port house cover PLA0149	1

	Specification	Qty
①	Cuttle battery case gasket	1
②	ST2.9*10screw	2
③	2PIN discharging female port set	1
④	Cuttle battery case lower cover PLA0241	1
⑤	DC charging port DC2.1 with hex nut	1
⑥	DC charging port waterproof cover PLA0014	1

Review		Establish		Date	
--------	--	-----------	--	------	--

Name	Cuttle battery case	Model	DC-1C/2C	Version	A
------	---------------------	-------	----------	---------	---

Battery case assembly instruction 2/2

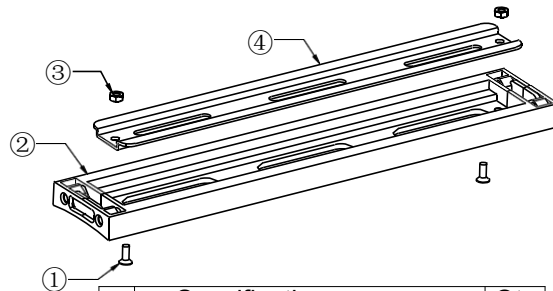


	Specification	Qty
①	Fixing screw M3*16	1
②	Fixing screw M3*25	5
③	Cuttle upper cover set	1
④	Cuttle aluminum alloy profile	1
⑤	Cuttle lower cover set	1

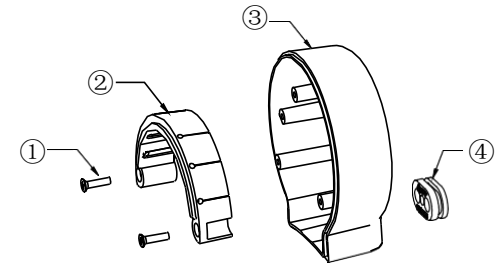
Review		Establish		Date	
--------	--	-----------	--	------	--

Name	Cuttle battery case	Model	DC-1C/2C	Version	A
------	---------------------	-------	----------	---------	---

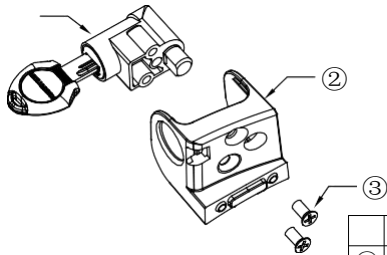
Sliding rail assembly instruction 1/2



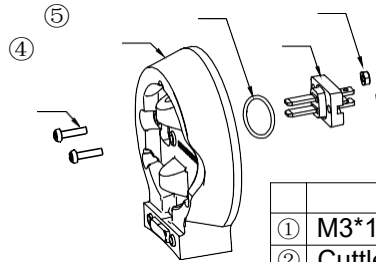
	Specification	Qty
①	M3*8 Flat head cross screw	2
②	DC-2C sliding rail PLA0251	1
③	M3 normal stainless nut	2
④	Cuttle sliding rail reinforcement	1



	Specification	Qty
①	M3*12 Flat head cross screw	2
②	Cuttle controller thermal pad	1
③	Cuttle controller case	1
④	D5 wireprotection plug PLA0093	1



	Specification	Qty
①	Battery lock BL03 with 2keys	1
②	Cuttle lock case PLA0243	1
③	M5*10 Flat head cross screw	2

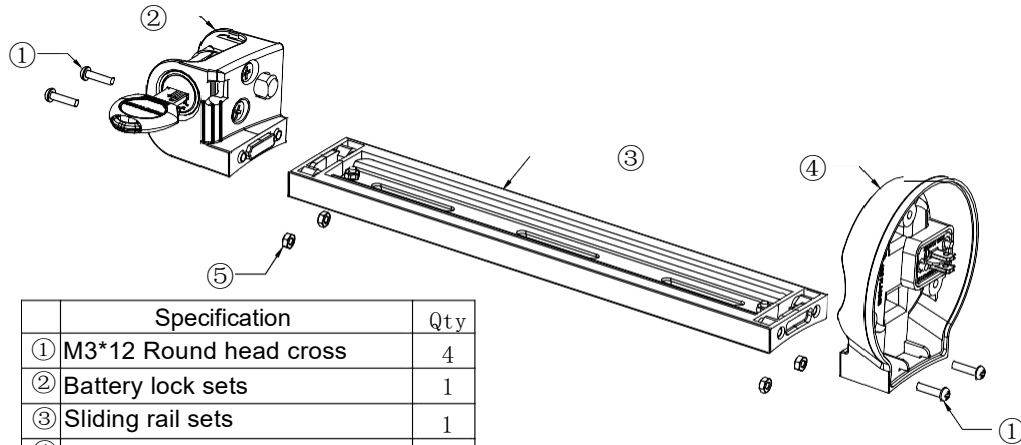


	Specification	Qty
①	M3*12 Round head cross screw	2
②	Cuttle controller case cover PLA0242	1
③	O-ring for Cuttle discharging port	1
④	2PIN Right angle discharge plug PLA0150	1
⑤	M3 normal stainless nut	2

Review		Establish		Date	
--------	--	-----------	--	------	--

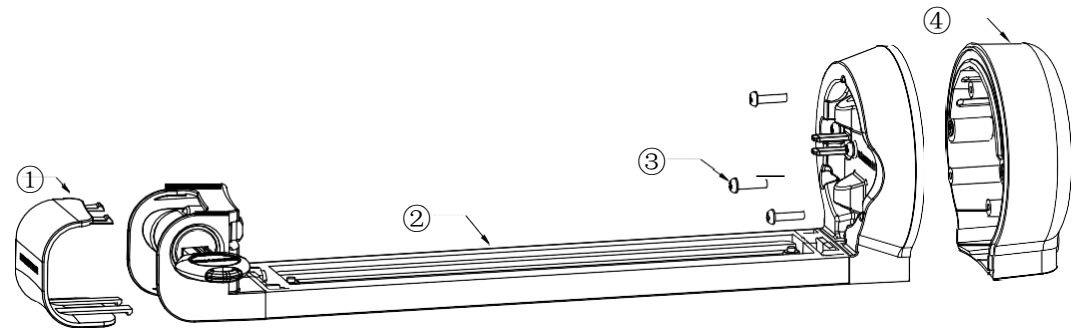
Name	Cuttle battery case	Model	DC-1C/2C	Version	A
------	---------------------	-------	----------	---------	---

Sliding rail assembly instruction 2/2



	Specification	Qty
①	M3*12 Round head cross	4
②	Battery lock sets	1
③	Sliding rail sets	1
④	Controller case cover sets	1
⑤	M3 normal stainless nut	4

	Specification	Qty
①	Cuttle lock case PLA0244	1
②	Battery lock, sliding rail and controller case cover sets	1
③	M3*12 Round head cross screw	3
④	Controller case sets	1



Review		Establish		Date	
--------	--	-----------	--	------	--