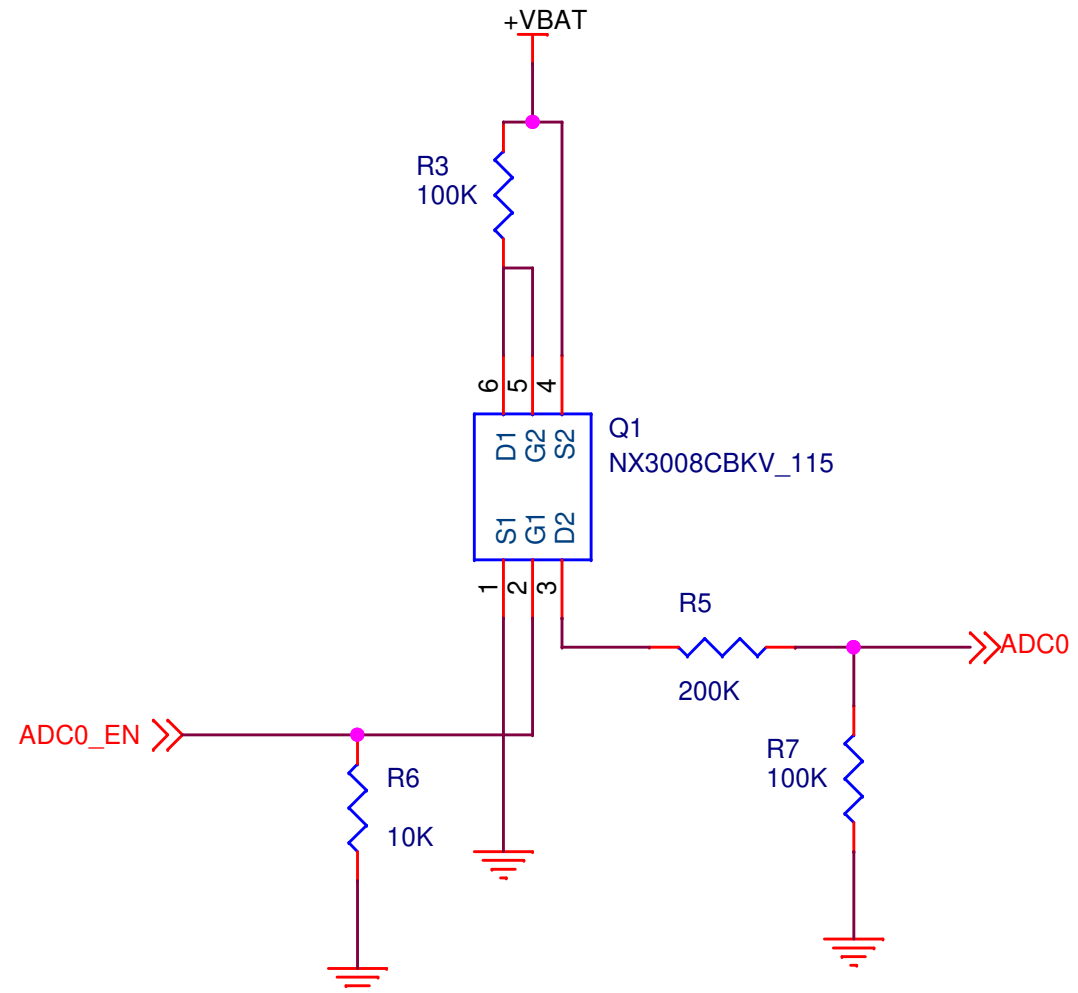
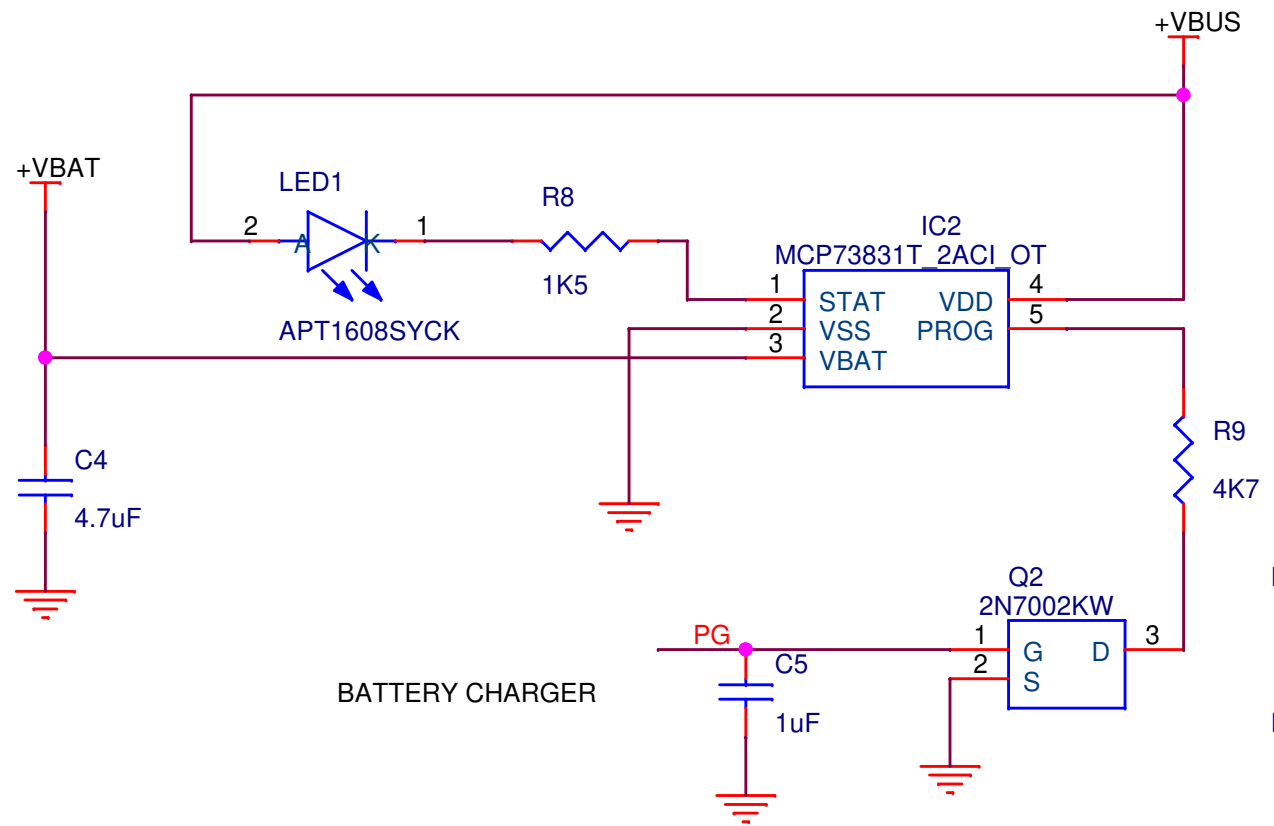


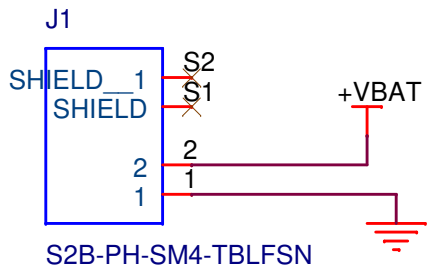
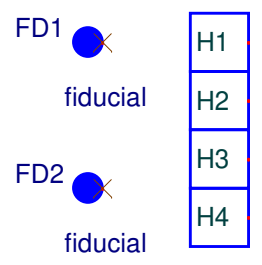
POWER SUPPLY



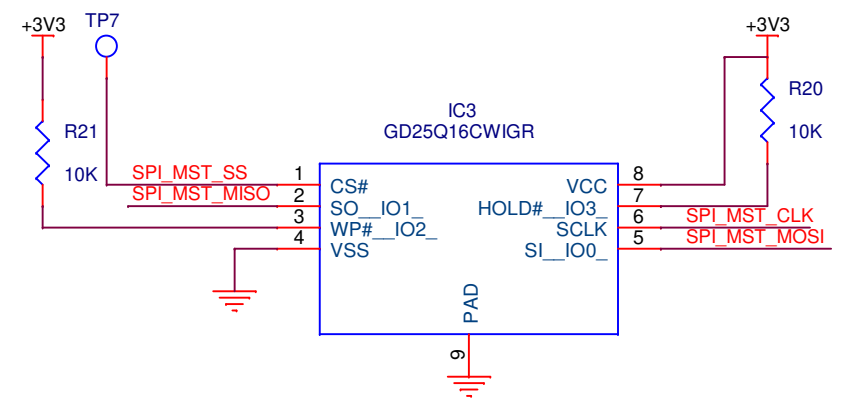
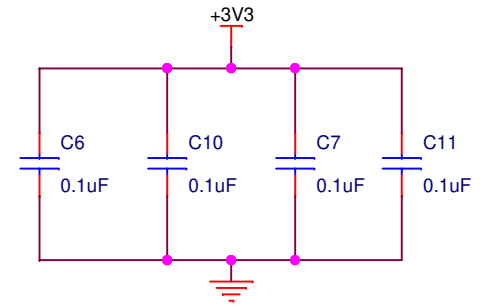
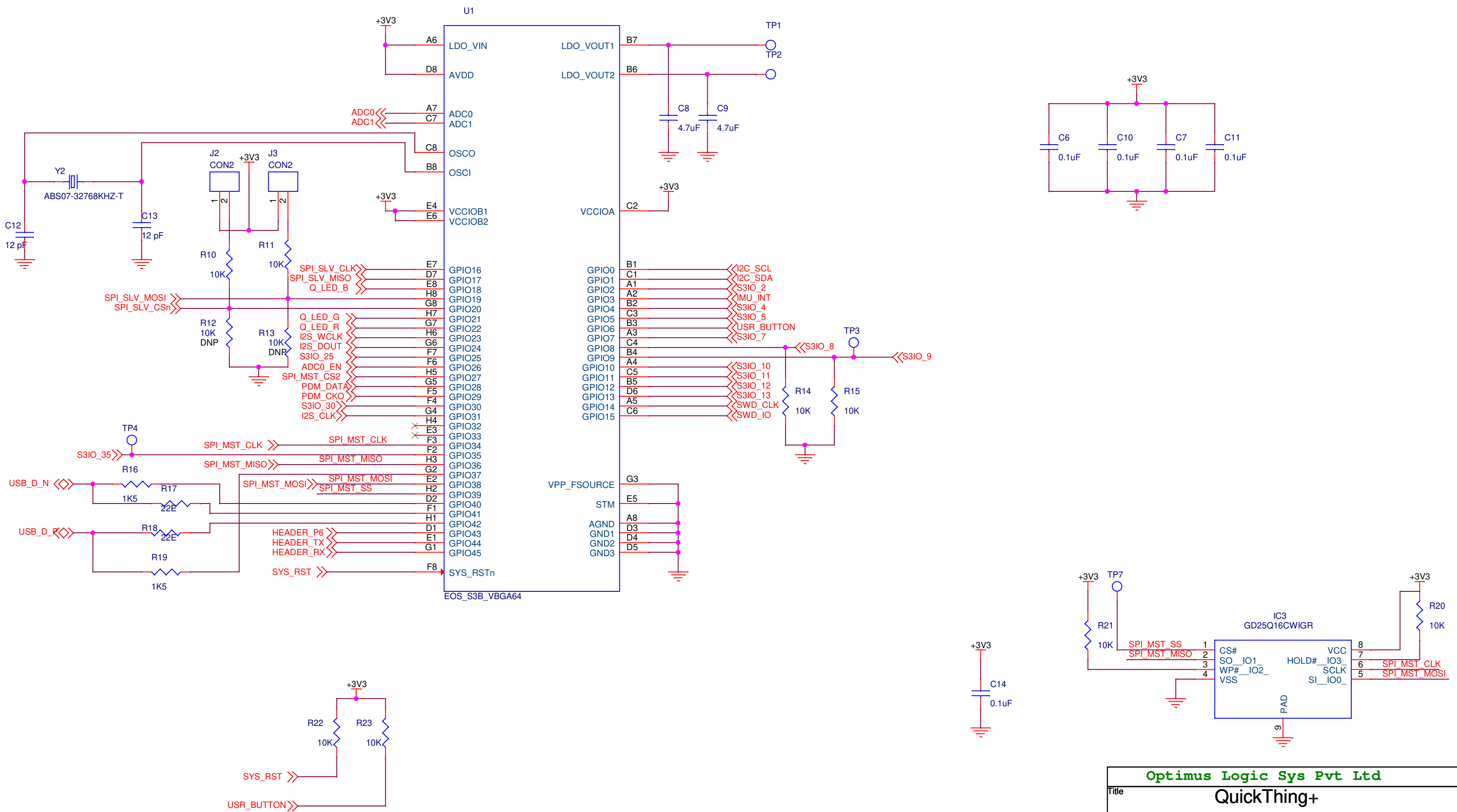
BATTERY VOLTAGE MONITOR



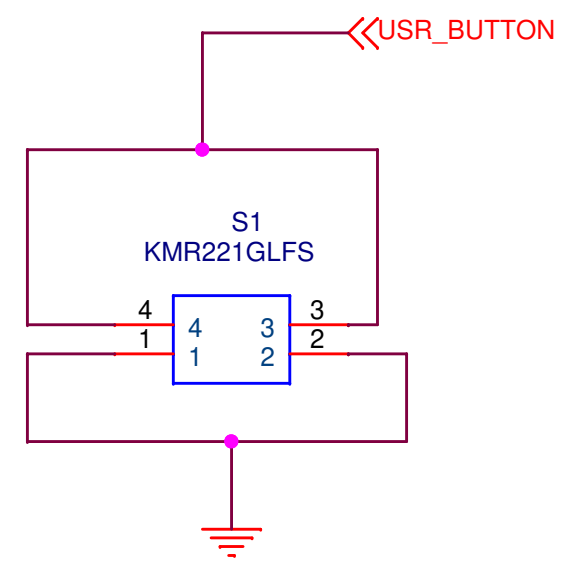
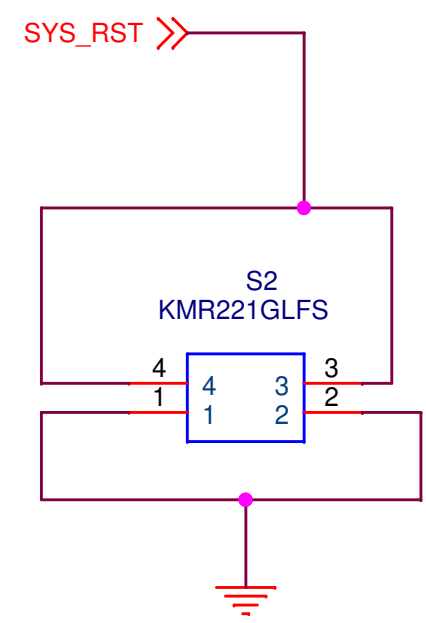
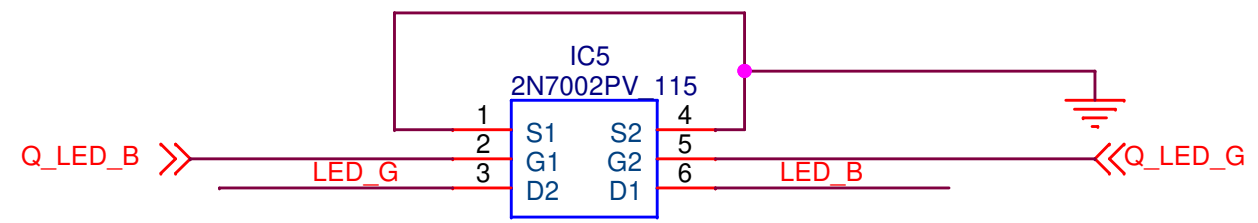
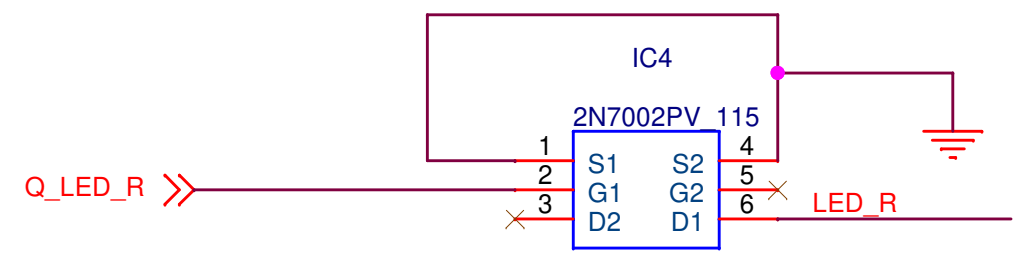
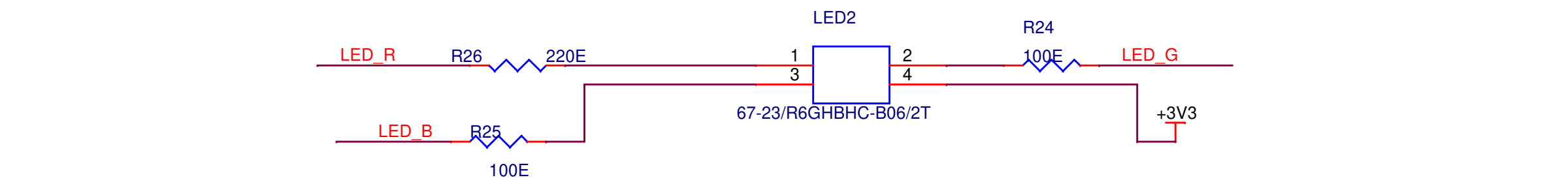
BATTERY CHARGER



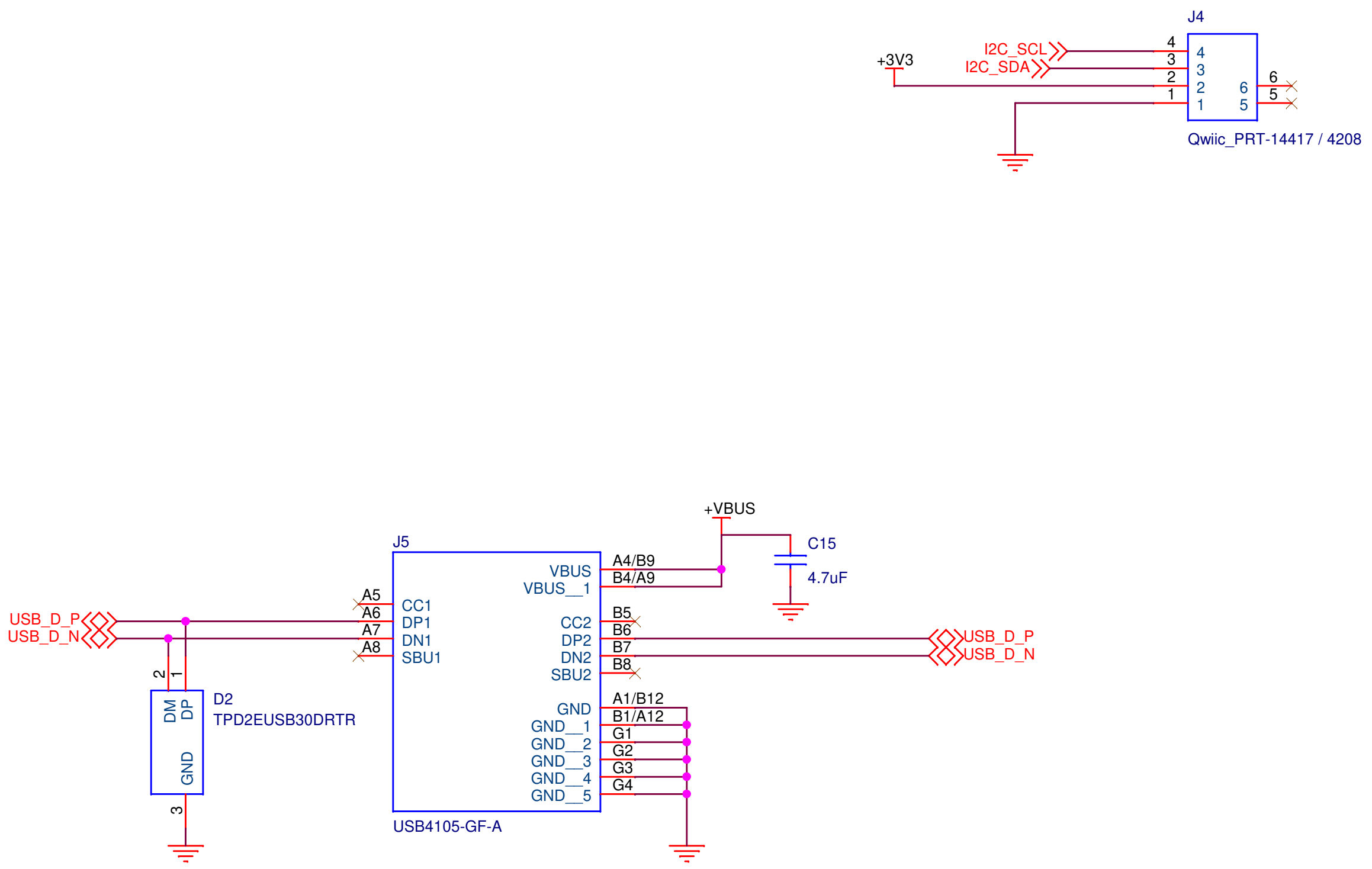
<b>Optimus Logic Sys Pvt Ltd</b>		
Title <b>QuickThing+</b>		
Size A	Document Number <Doc>	Rev 0
Date:	Tuesday, October 27, 2020	Sheet 1 of 6



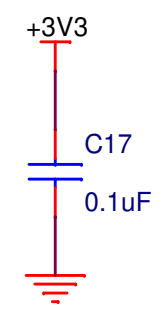
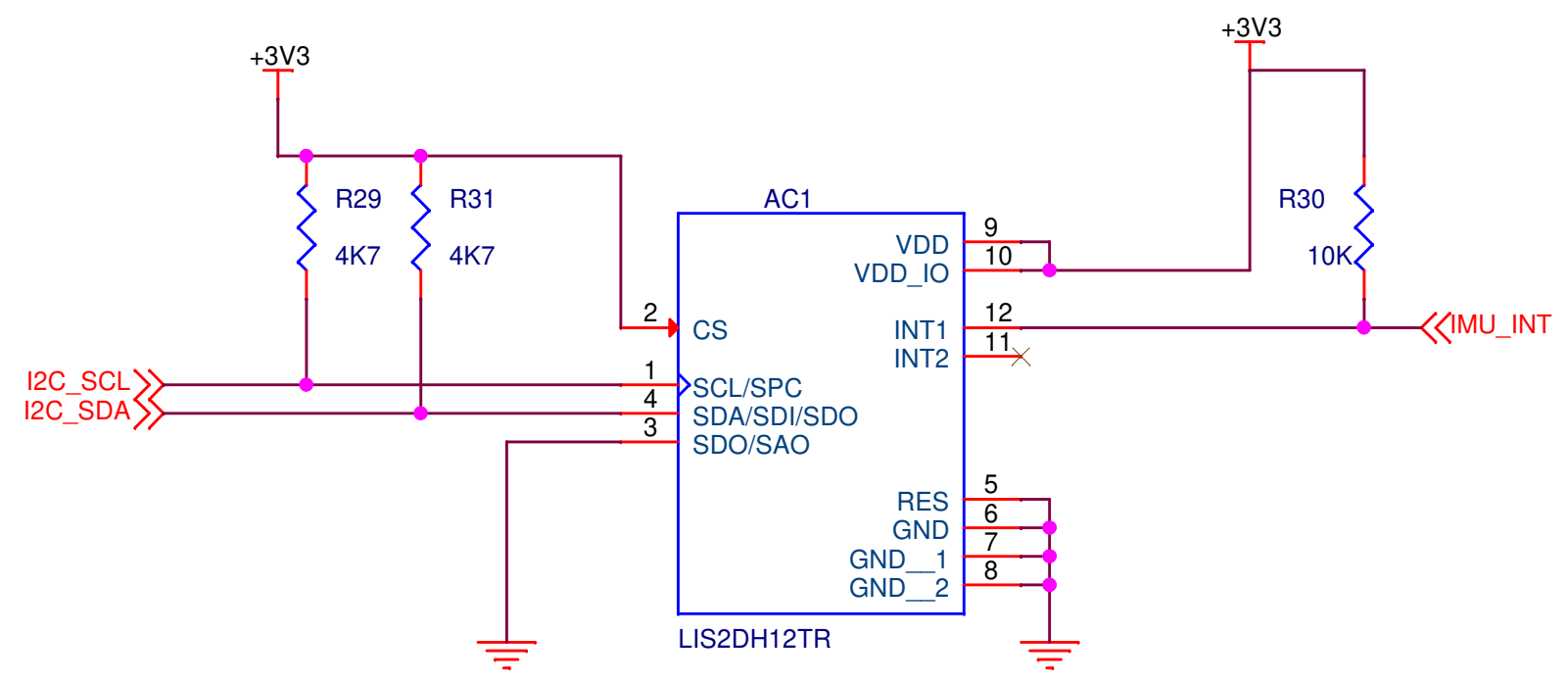
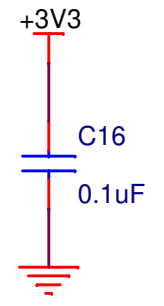
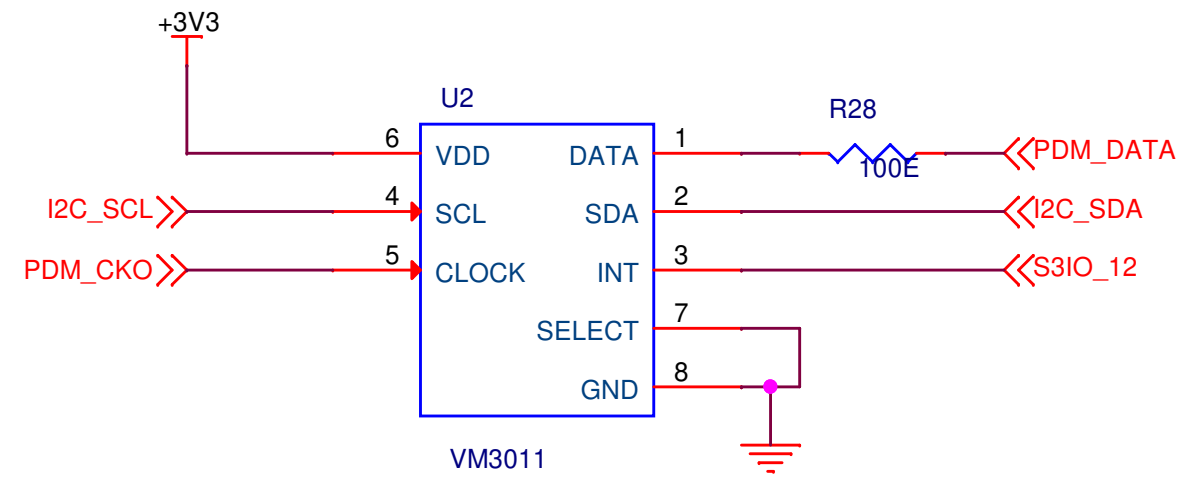
<b>Optimus Logic Sys Pvt Ltd</b>		
<b>QuickThing+</b>		
Size B	Document Number <Doc>	Rev 0
Date:	Thursday, October 22, 2020	Sheet 2 of 6



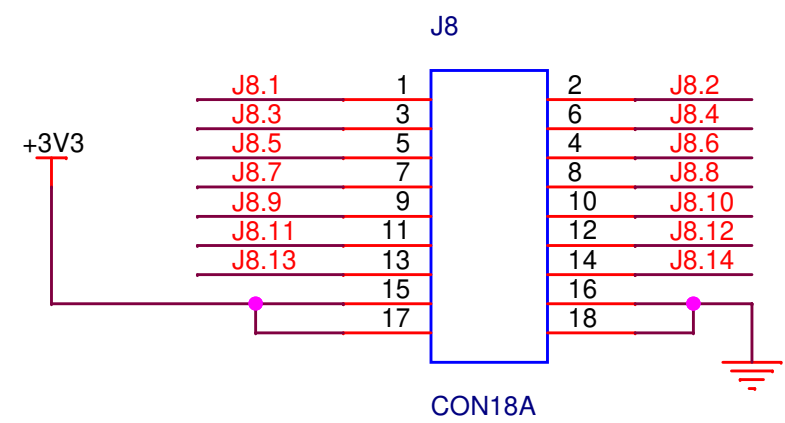
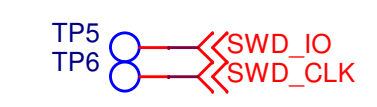
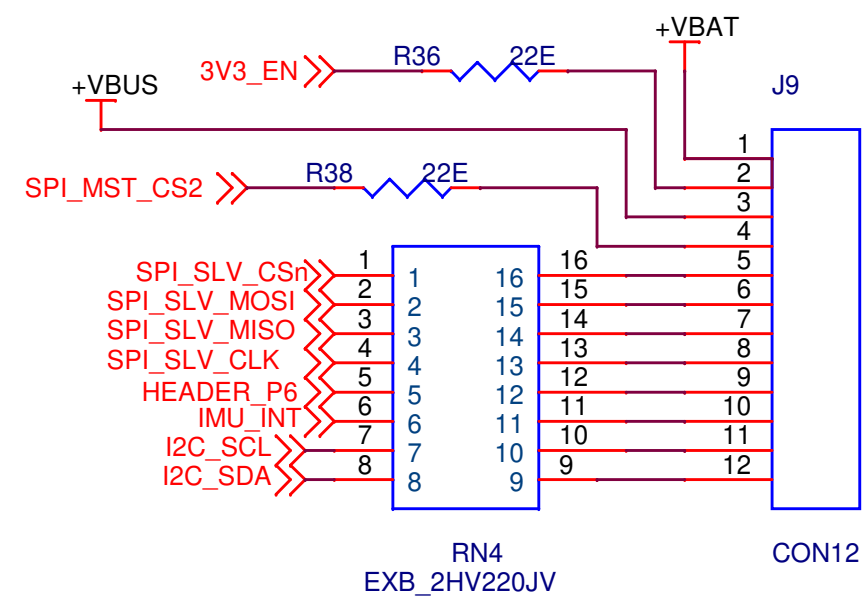
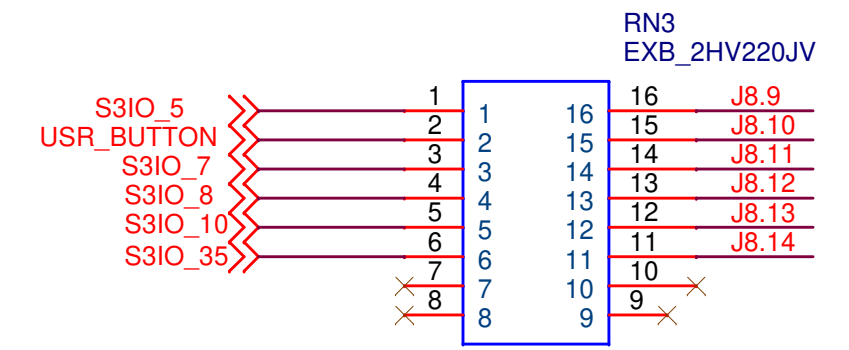
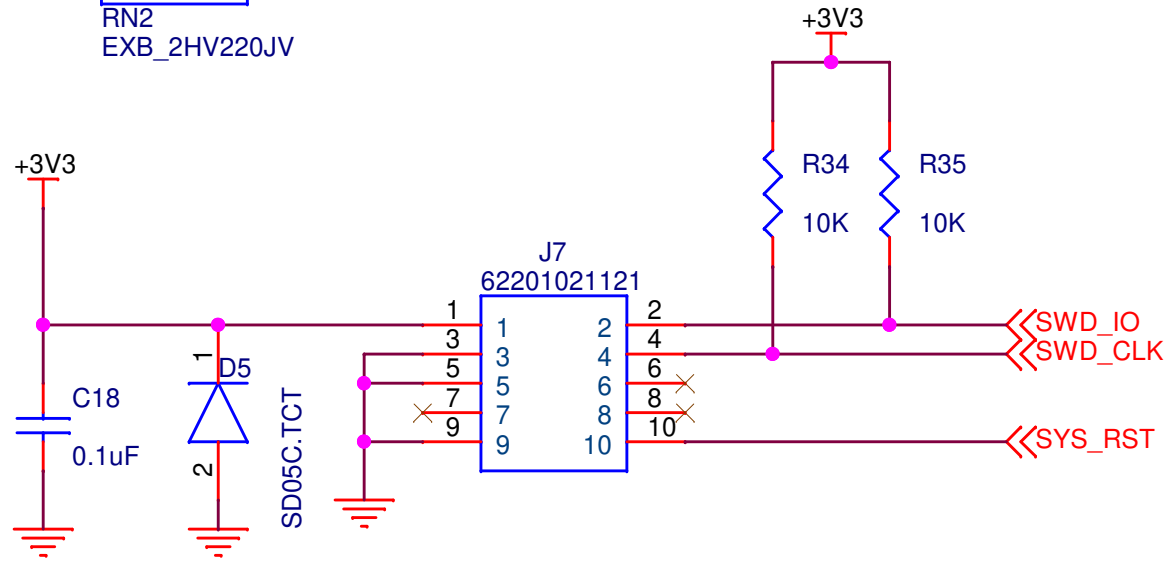
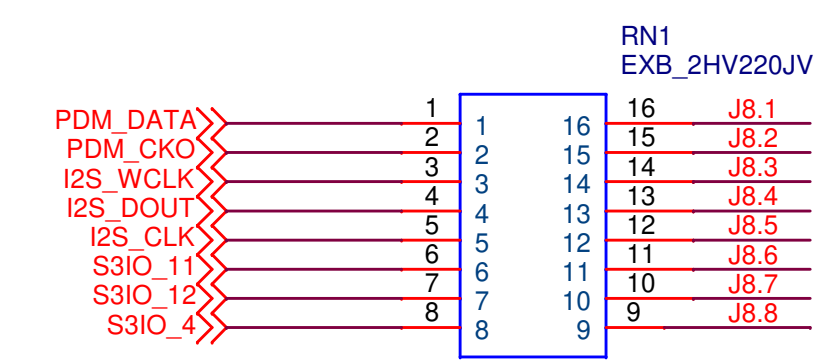
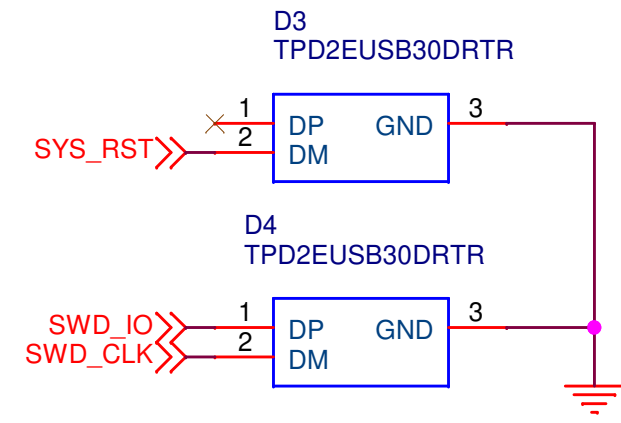
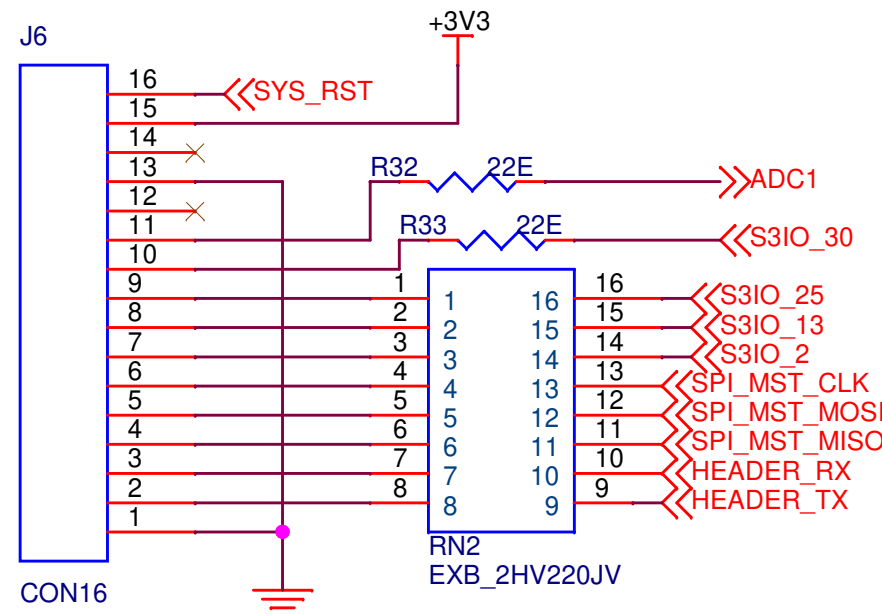
<b>Optimus Logic Sys Pvt Ltd</b>		
Title <b>QuickThing+</b>		
Size A	Document Number <Doc>	Rev 0
Date:	Thursday, October 22, 2020	Sheet 3 of 6



<b>Optimus Logic Sys Pvt Ltd</b>		
Title <b>QuickThing+</b>		
Size A	Document Number <Doc>	Rev 0
Date:	Thursday, October 22, 2020	Sheet 4 of 6



<b>Optimus Logic Sys Pvt Ltd</b>		
Title <b>QuickThing+</b>		
Size A	Document Number <Doc>	Rev 0
Date:	Thursday, October 22, 2020	Sheet 5 of 6



<b>Optimus Logic Sys Pvt Ltd</b>		
Title <b>QuickThing+</b>		
Size A	Document Number <Doc>	Rev 0
Date:	Thursday, October 22, 2020	Sheet 6 of 6