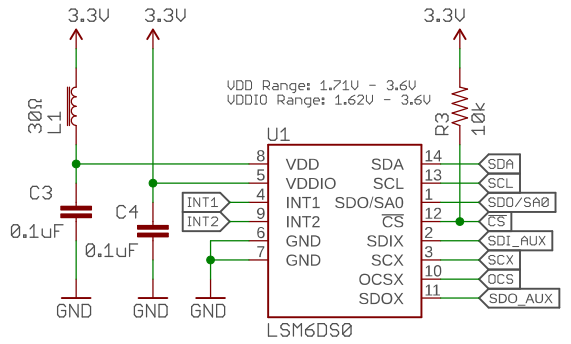
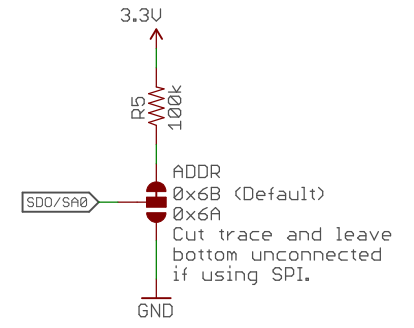
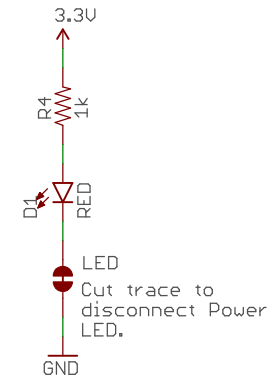


Accelerometer - LSM6DS0

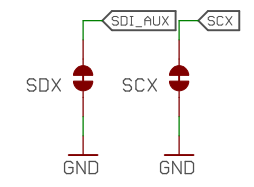
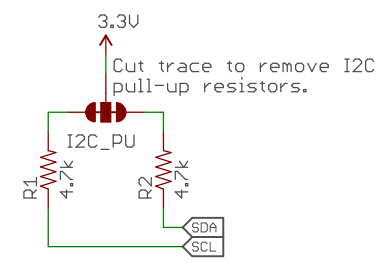


SERIAL MODES
 MODE1: Peripheral-only mode
 I2C or SPI
 MODE2: Sensor Hub mode
 I2C or SPI with controller I2C port
 MODE3: AUX SPI mode
 I2C and SPI access (Multi-read)

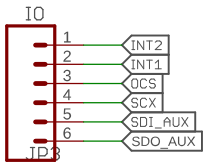
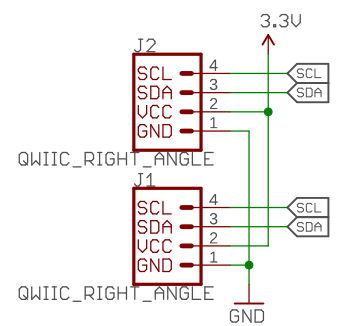
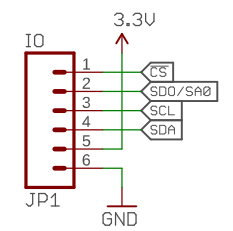
Jumpers



If downstream SPI devices are hosted by the LSM6DS0, release SCx and SDx from ground by cutting traces.



Connectors



| | | |
|--|------------|----------|
| Released under the Creative Commons Attribution Share-Alike 4.0 License https://creativecommons.org/licenses/by-sa/4.0/ | | CC BY SA |
| TITLE: SparkFun_6DoF_LSM6DS0 | | |
| Design by: Marshall Taylor Revised by: Elias Santistevan | | REV: v10 |
| Date: 5/4/2021 12:30 PM | Sheet: 1/1 | |