

#12012 #12013 #12014

## M8N GPS



### Descriptions:

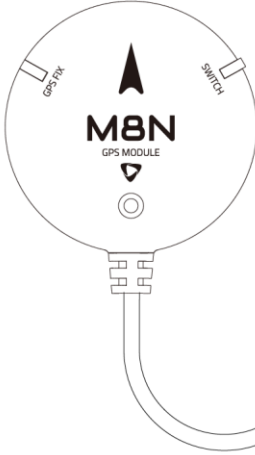
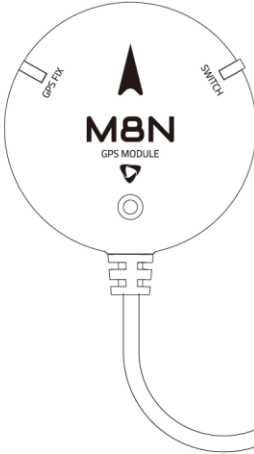
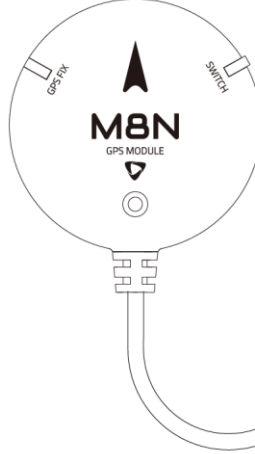
The M8N GPS has an UBLOX M8N module, IST8310 compass, tri-colored LED indicator, and a safety switch. There are 3 different connectors options for different purposes.

This module ships with a baud rate of 38400 5Hz

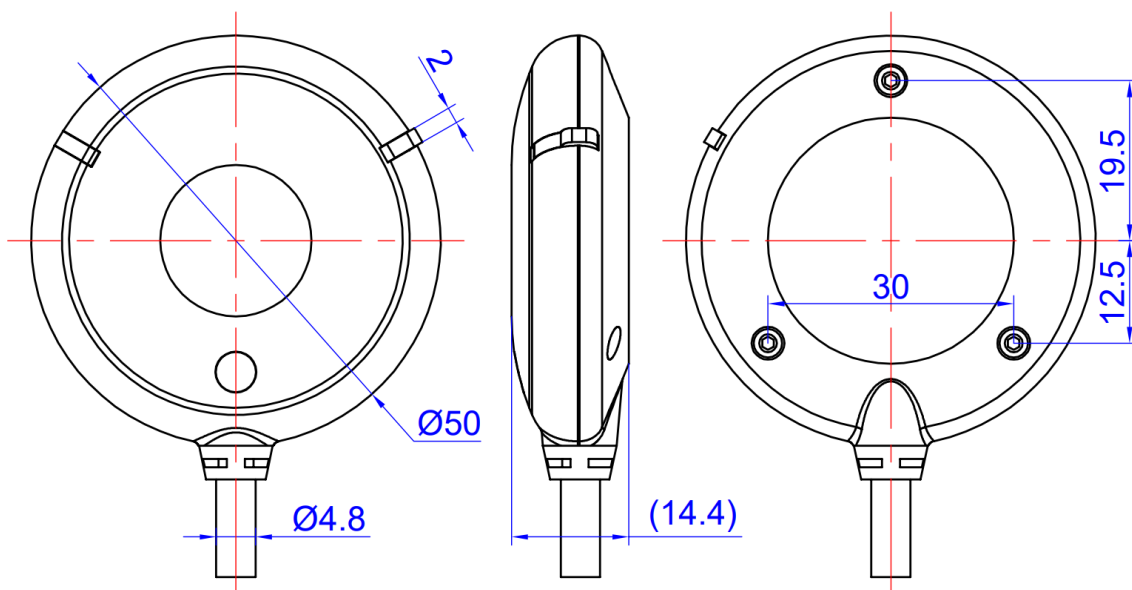
### Features and Specifications:

- Ublox Neo-M8N module
- Industry leading  $-167$  dBm navigation sensitivity
- Cold starts: 26s
- LNA MAX2659ELT+
- 25 x 25 x 4 mm ceramic patch antenna
- Rechargeable Farah capacitance
- Low noise 3.3V regulator
- Current consumption: less than 150mA @ 5V
- Fix indicator LEDs
- Protective case
- 26cm cable included
- Diameter 50mm total size, 32 grams with case.

## Pin Map

<p>Type your text</p> <p><b>Holybro M8N GPS</b> (JST GHR1.25mm 10 pin cable):</p> <p>This JST GH 10Pin connector can be used on Pixhawk Series 10pin "GPS Module" or "GPS1" input port.</p>	 <p><b>GHR 1.25mm 10P</b></p> <ul style="list-style-type: none"> <li>VCC 5V (red)</li> <li>RX</li> <li>TX</li> <li>SCL</li> <li>SDA</li> <li>SAFETY_SWITCH</li> <li>SAFETY_SWITCH_LED</li> <li>VDD_3V3</li> <li>BUZZER-</li> <li>GND</li> </ul>
<p><b>Holybro M8N GPS for Pix32</b> (Molex1.25mm 6pin &amp; 4pin &amp;3pin cable):</p> <p>These Molex1.25mm 6pin &amp; 4pin &amp;3pin connectors are for Pix32 "Switch", "GPS", and "I2C" input ports.</p>	 <p><b>Molex 1.25mm 6P &amp; 4P &amp; 3P</b></p> <ul style="list-style-type: none"> <li>VCC 5V (red)</li> <li>RX</li> <li>TX</li> <li>NC</li> <li>NC</li> <li>GND</li> <li>NC</li> <li>SCL</li> <li>SDA</li> <li>NC</li> <li>VDD_3V3</li> <li>SWITCH_LED</li> <li>SWITCH</li> </ul>
<p><b>Holybro M8N 2nd GPS</b>(JST GHR1.25mm 6pin cable):</p> <p>This JST GH 6Pin connector can be used on Pixhawk Series 6pin "UART &amp; I2C" or "GPS2" input port as secondary GPS.</p>	 <p><b>GHR 1.25mm 6P</b></p> <ul style="list-style-type: none"> <li>VCC 5V (red)</li> <li>RX</li> <li>TX</li> <li>SCL</li> <li>SDA</li> <li>GND</li> </ul>

## Dimensions



DIMENSIONS IN MILLIMETERS

### Package Included:

M8N GPS Module \*1

'X' type folding pedestal mount \*1

Carbon rod 100mm \*1

Holybro is a registered trademark of Holybro, registered in the U.S. and other countries.

©Copyright 2018 Holybro. All Rights Reserved.